

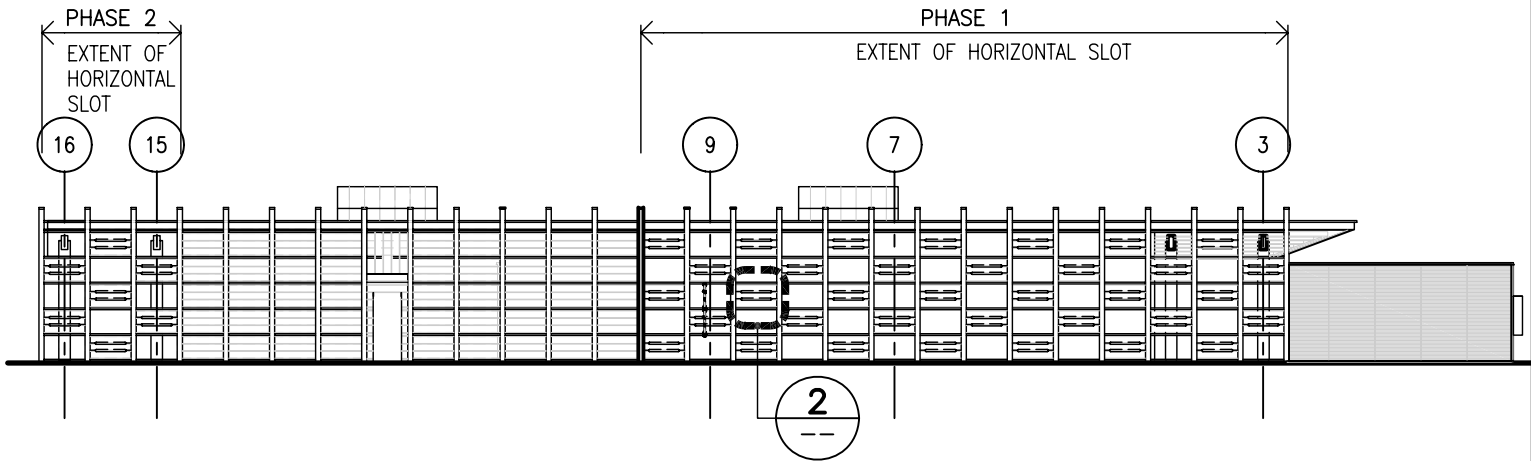
This addendum varies the Contract Documents, **THE GATHERING PLACE PHASE 2, VANCOUVER ISLAND UNIVERSITY** and amends the original Drawings and Specifications. The following revisions supersede the information contained in the original drawings and specifications issued to the extent referenced and shall become a part thereof. No adjustment to the Contract Price will be considered or allowed due to the Contractor, or to any subcontractor or Supplier not being familiar with this Addendum.

ARCHITECTURAL

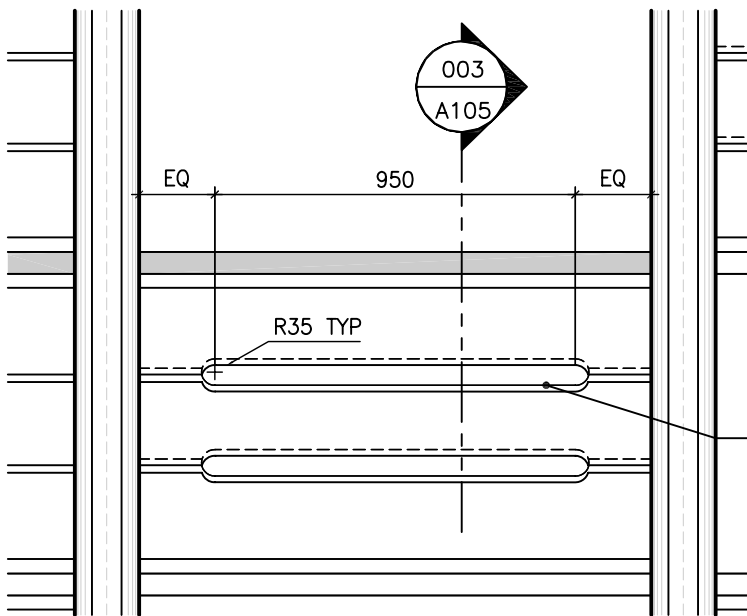
1.1 SLIDING SCREEN

REVISE SLIDING SCREEN AS PER ATTACHED SKA 104 REV.0

End of Addendum No. 2.

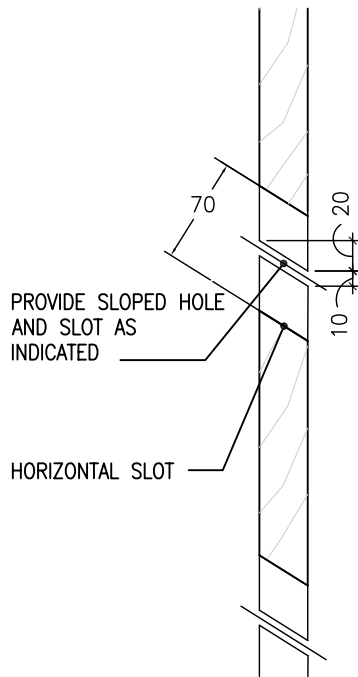


1 SCHEMATIC EAST ELEVATION
1:250



CEDAR SCREEN - REFER TO A720/002

2 SCREEN ELEVATION
1:20



3 SCREEN SECTION
1:5

PROVIDE SLOTTED SCREEN DETAIL C/W ANGLED HOLE AND SLOT AS DETAILED IN 2/SKA 105 FOR PHASE 1 INCLUDING AND BETWEEN GRIDLINES 3 TO 9+ AND FOR PHASE 2 BETWEEN 15 AND 16+ AS INDICATED IN 1/SKA 105.

REFERENCE A300



ALFRED WAUGH ARCHITECT
100 Park Royal, Suite 1104
West Vancouver, British Columbia
Canada V7T 1A2
1.604.913.3116
1.604.925.1749

PROJECT:
THE GATHERING PLACE
VANCOUVER ISLAND UNIVERSITY
NANAIMO, BC

DWG. TITLE:
CEDAR SCREEN
TRANSITION
SLOTS

SCALE: 1:20
DATE: 05.15.09
DRAWN: DK
PROJ NO: 10802

DRAWING SET:
SKA

DRAWING NO:
104
REVISION NO. **0**