

# NANAIMO CAMPUS SINGLE LINE ELECTRICAL DISTRIBUTION



## REVISION LOG







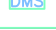
2006 JUNE – ORIGINAL  
by APPLIED ENGINEERING

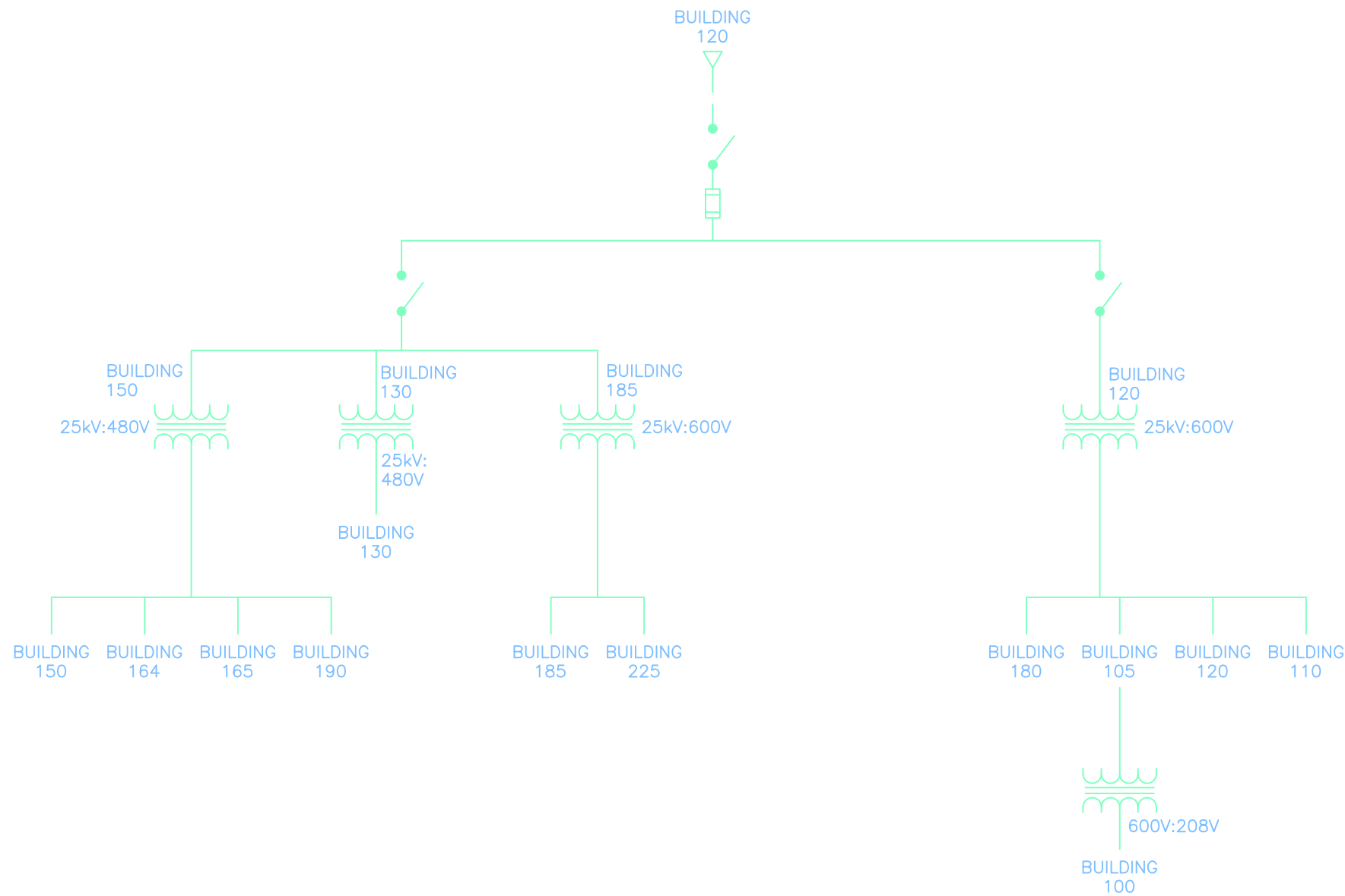
2010 MARCH – UPDATED  
by VIU

## DRAWINGS LIST

E1.1 BUILDING OVERVIEW  
E1.2 BUILDING OVERVIEW  
E2 BUILDING 110  
E3 BUILDING 120  
E4 BUILDING 130  
E5 BUILDING 150  
E6 BUILDING 164  
E7 BUILDING 180  
E8 BUILDING 185  
E9 BUILDINGS 190 AND 193  
E10 BUILDING 200  
E11 BUILDING 205  
E12 BUILDING 250  
E13 BUILDING 300  
E14 BUILDING 305  
E15 BUILDING 305a  
E16 BUILDINGS 310, 315 AND 320  
E17 BUILDINGS 325, 330 AND 335  
E18 BUILDINGS 340, 345 AND 355  
E19 BUILDING 356

## LEGEND OF SYMBOLS

	BREAKER
	SWITCH
	FUSE
	AVAILABLE FAULT CURRENTS, IN AMPS
	TRANSFORMER
	UNDERGROUND CABLE CONNECTION
	DIGITAL METERING SYSTEM



1 BUILDING OVERVIEW  
E1.1 NOT TO SCALE

**ELITE  
ENGINEERING  
LIMITED**  
professional electrical  
engineering services  
#2-416 GARBALLY RD  
VICTORIA, B.C. V8T 2K1  
PHONE: (250) 704-1177  
FAX: (250) 704-1187

  
**VANCOUVER ISLAND  
UNIVERSITY**

seal

  
**applied engineering  
solutions ltd.**  
3rd Floor, 1815 Blanshard Street • Victoria • British Columbia • V8T 5A4  
Ph: (250) 381 6121 • Fax: (250) 381 6811

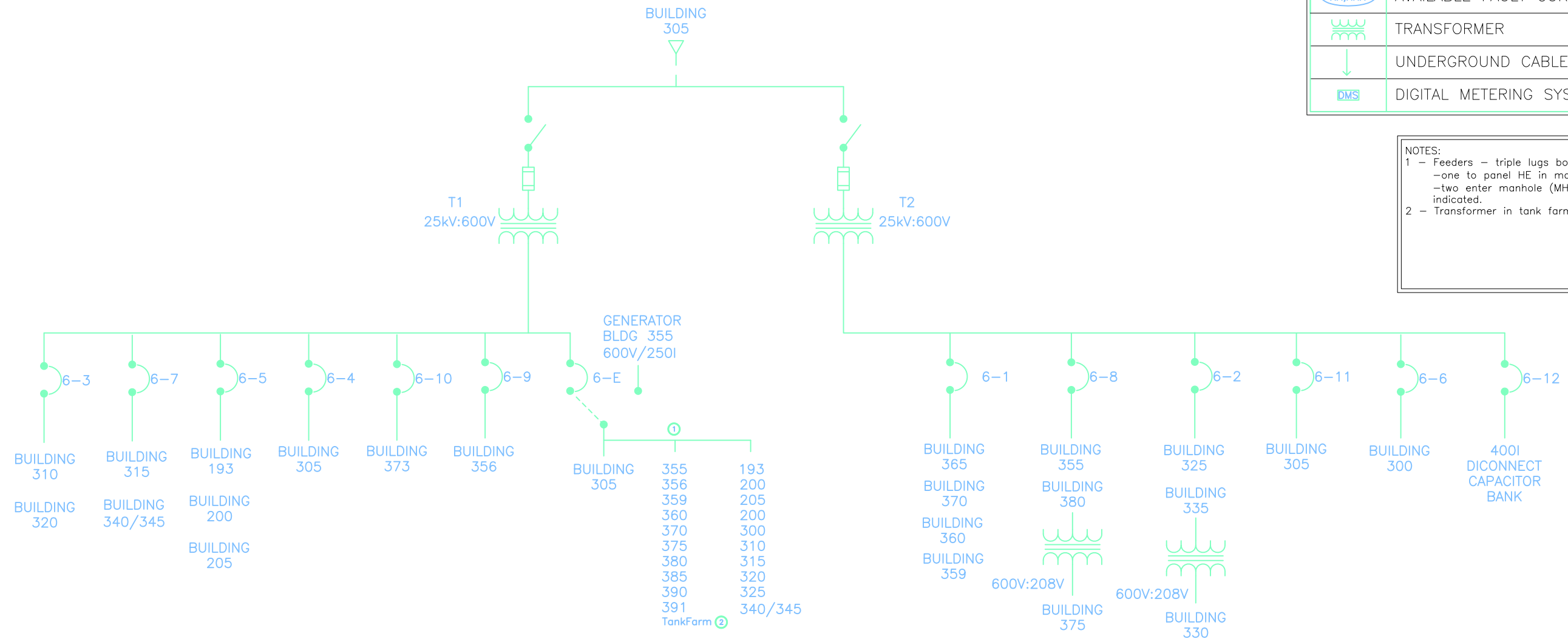
project  
**VANCOUVER ISLAND UNIVERSITY  
ELECTRICAL DISTRIBUTION**  
drawing title  
**NANAIMO CAMPUS OVER VIEW**

designed	scale AS NOTED	date MAR-12-2010
drawn	project no.	
checked	drawing no. <b>E1.1</b>	rev. <b>3</b>
approved		

## LEGEND OF SYMBOLS

	BREAKER
	SWITCH
	FUSE
	AVAILABLE FAULT CURRENTS, IN AMPS
	TRANSFORMER
	UNDERGROUND CABLE CONNECTION
	DIGITAL METERING SYSTEM

NOTES:  
 1 - Feeders - triple lugs bottom of robotic.  
 -one to panel HE in main Vault (bldg 305)  
 -two enter manhole (MH) system and go to building indicated.  
 2 - Transformer in tank farm - powered not used.



1 BUILDING OVERVIEW  
 E1.2 NOT TO SCALE

**ELITE ENGINEERING LIMITED**  
 professional electrical engineering services  
 #2-416 GARBALLY RD  
 VICTORIA, B.C. V8T 2K1  
 PHONE: (250) 704-1177  
 FAX: (250) 704-1187

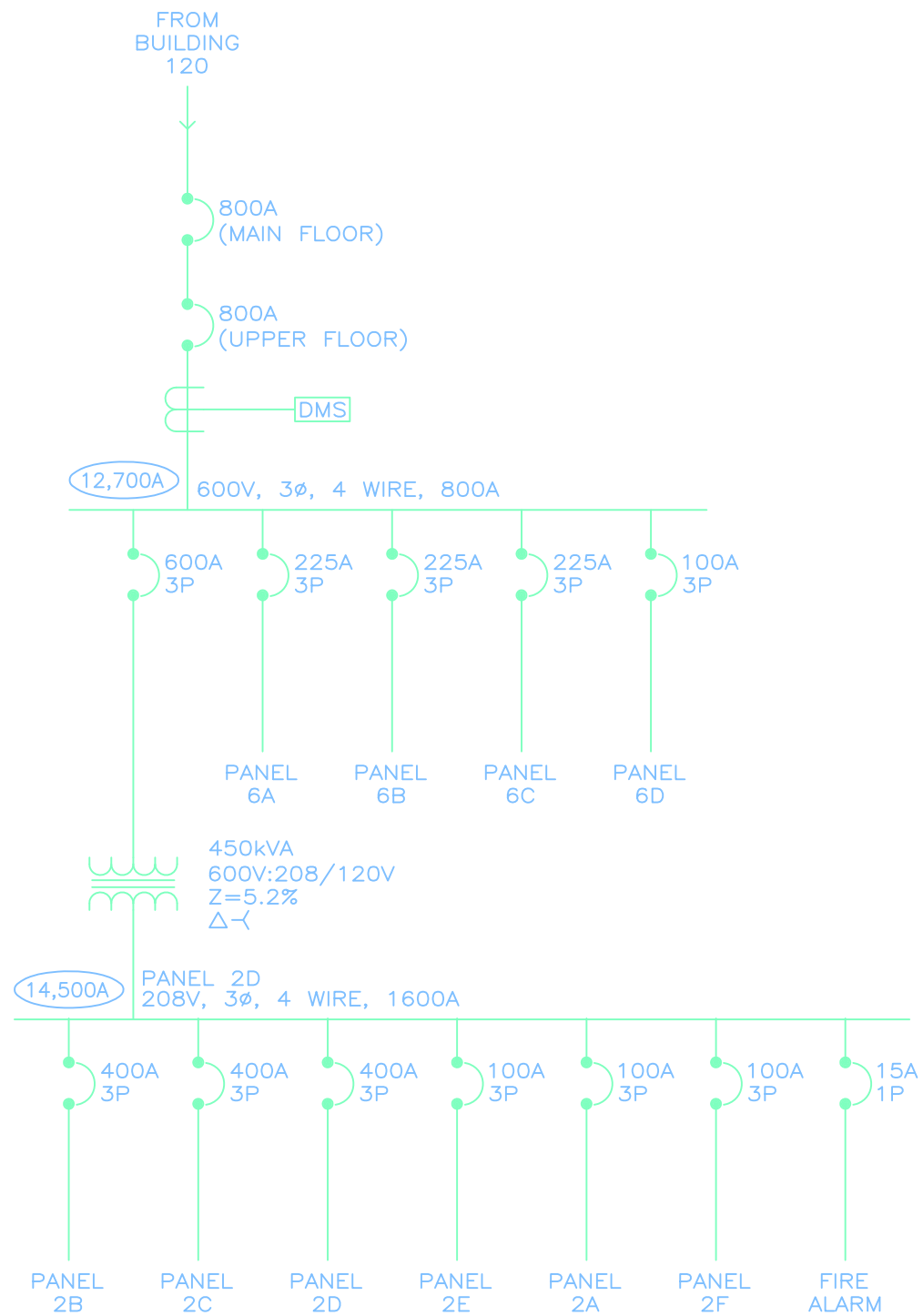
**VANCOUVER ISLAND UNIVERSITY**

seal

**applied engineering solutions ltd.**  
 3rd Floor, 1815 Blanshard Street • Victoria • British Columbia • V8T 5A4  
 Ph: (250) 381 6121 • Fax: (250) 381 6811

project  
**VANCOUVER ISLAND UNIVERSITY ELECTRICAL DISTRIBUTION**  
 drawing title  
**NANAIMO CAMPUS OVER VIEW**

designed	scale AS NOTED	date MAR-12-2010
drawn	project no.	
checked	drawing no.	rev.
approved	<b>E1.2</b>	<b>3</b>



1 BUILDING 110  
E2 NOT TO SCALE

**ELITE ENGINEERING LIMITED**  
 professional electrical engineering services  
 #2-416 GARBALLY RD  
 VICTORIA, B.C. V8T 2K1  
 PHONE: (250) 704-1177  
 FAX: (250) 704-1187

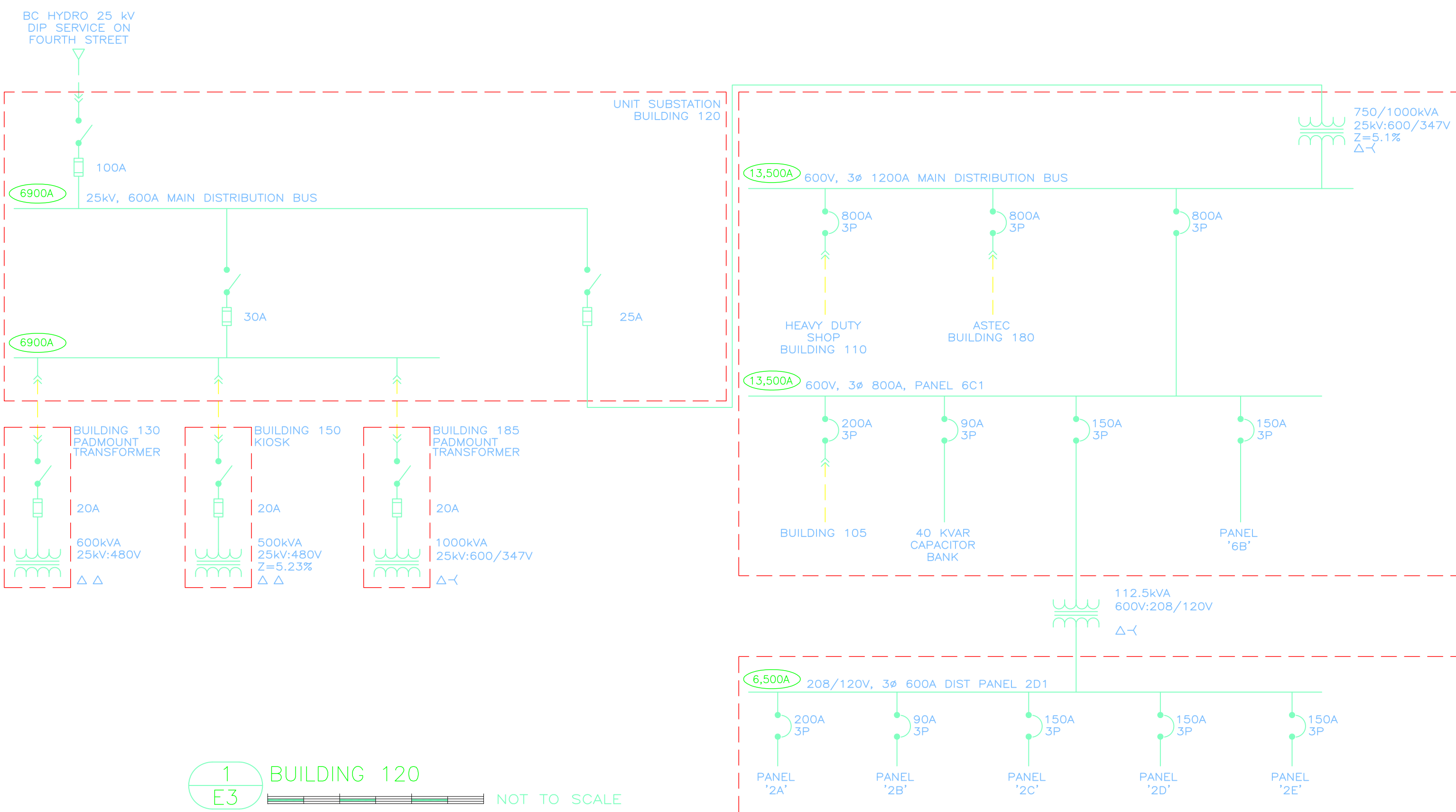


seal



project **VANCOUVER ISLAND UNIVERSITY ELECTRICAL DISTRIBUTION**  
 drawing title **BUILDING 110**

designed	scale AS NOTED	date MAR-12-2010
drawn	project no.	
checked	drawing no.	rev.
approved	<b>E2</b>	<b>1</b>



1 BUILDING 120  
E3 NOT TO SCALE

**ELITE ENGINEERING LIMITED**  
 professional electrical engineering services  
 #2-416 GARBALLY RD  
 VICTORIA, B.C. V8T 2K1  
 PHONE: (250) 704-1177  
 FAX: (250) 704-1187

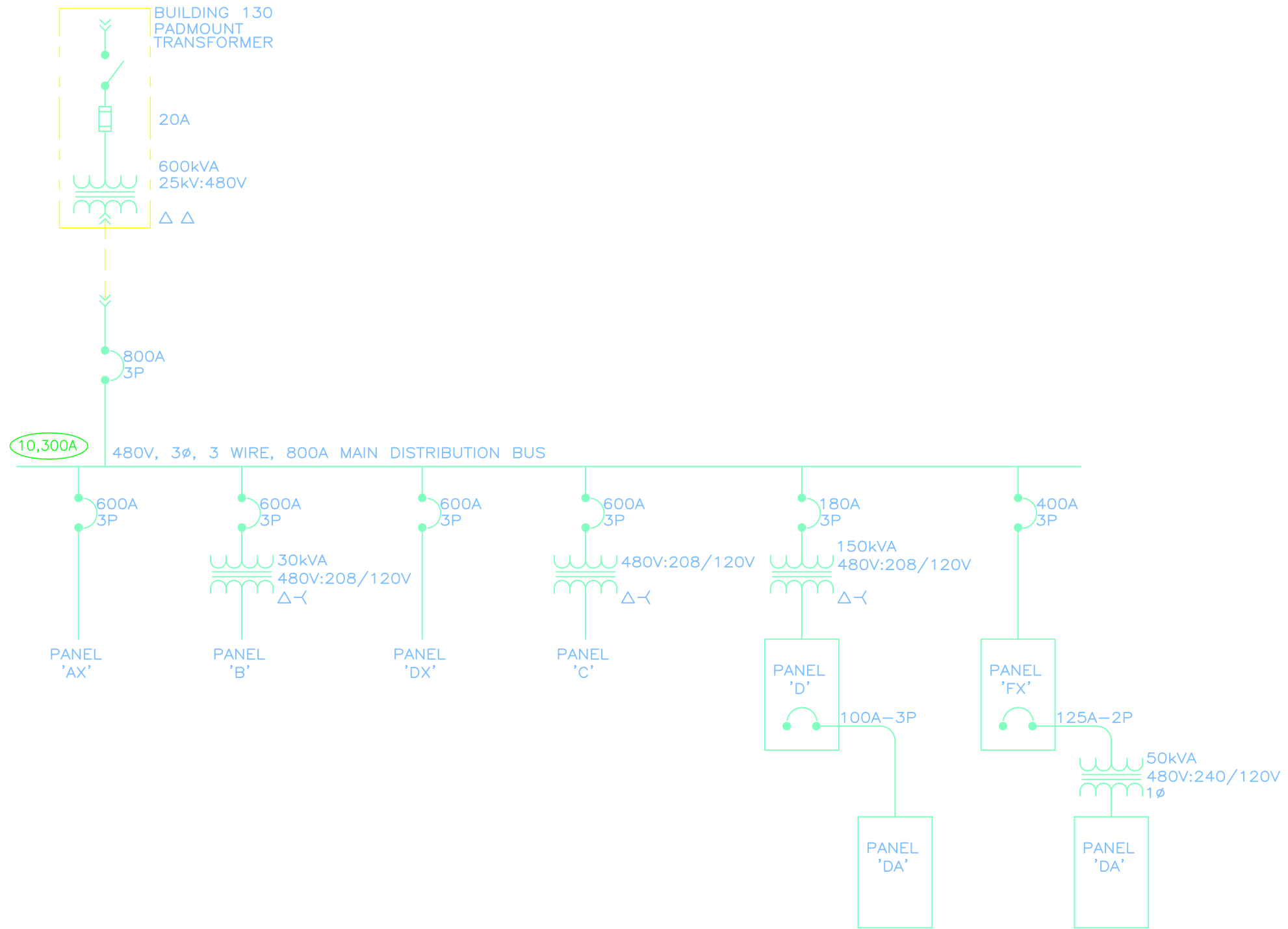
**VANCOUVER ISLAND UNIVERSITY**

seal

**applied engineering solutions ltd.**  
 3rd Floor, 1815 Blanshard Street • Victoria • British Columbia • V8T 5A4  
 Ph: (250) 381 6121 • Fax: (250) 381 6811

project **VANCOUVER ISLAND UNIVERSITY ELECTRICAL DISTRIBUTION**  
 drawing title **BUILDING 120**

designed	scale AS NOTED	date MAR-12-2010
drawn	project no.	
checked	drawing no.	rev.
approved	<b>E3</b>	<b>1</b>



1 BUILDING 130  
E4 NOT TO SCALE

**ELITE ENGINEERING LIMITED**  
professional electrical engineering services  
#2-416 GARBALLY RD  
VICTORIA, B.C. V8T 2K1  
PHONE: (250) 704-1177  
FAX: (250) 704-1187

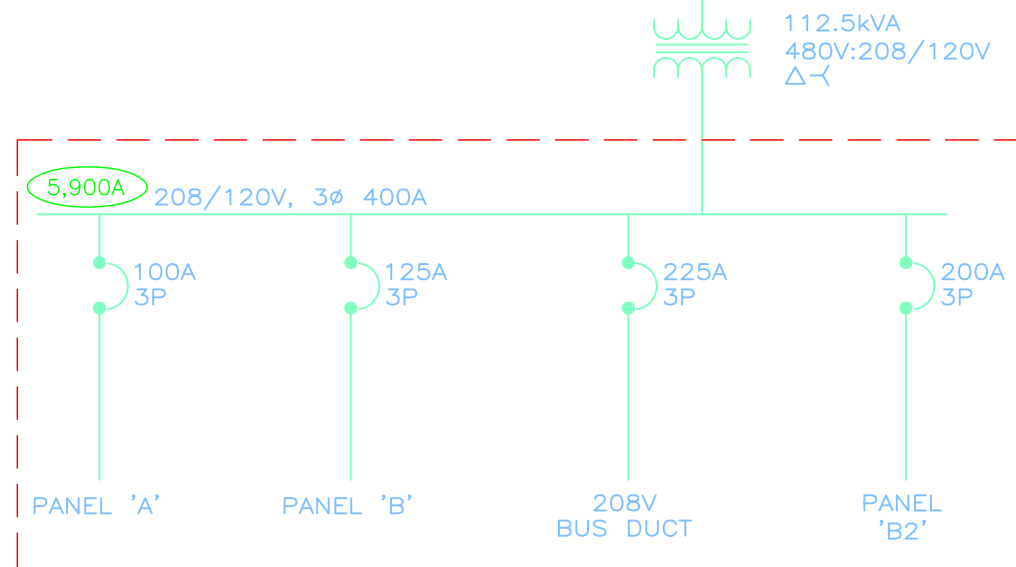
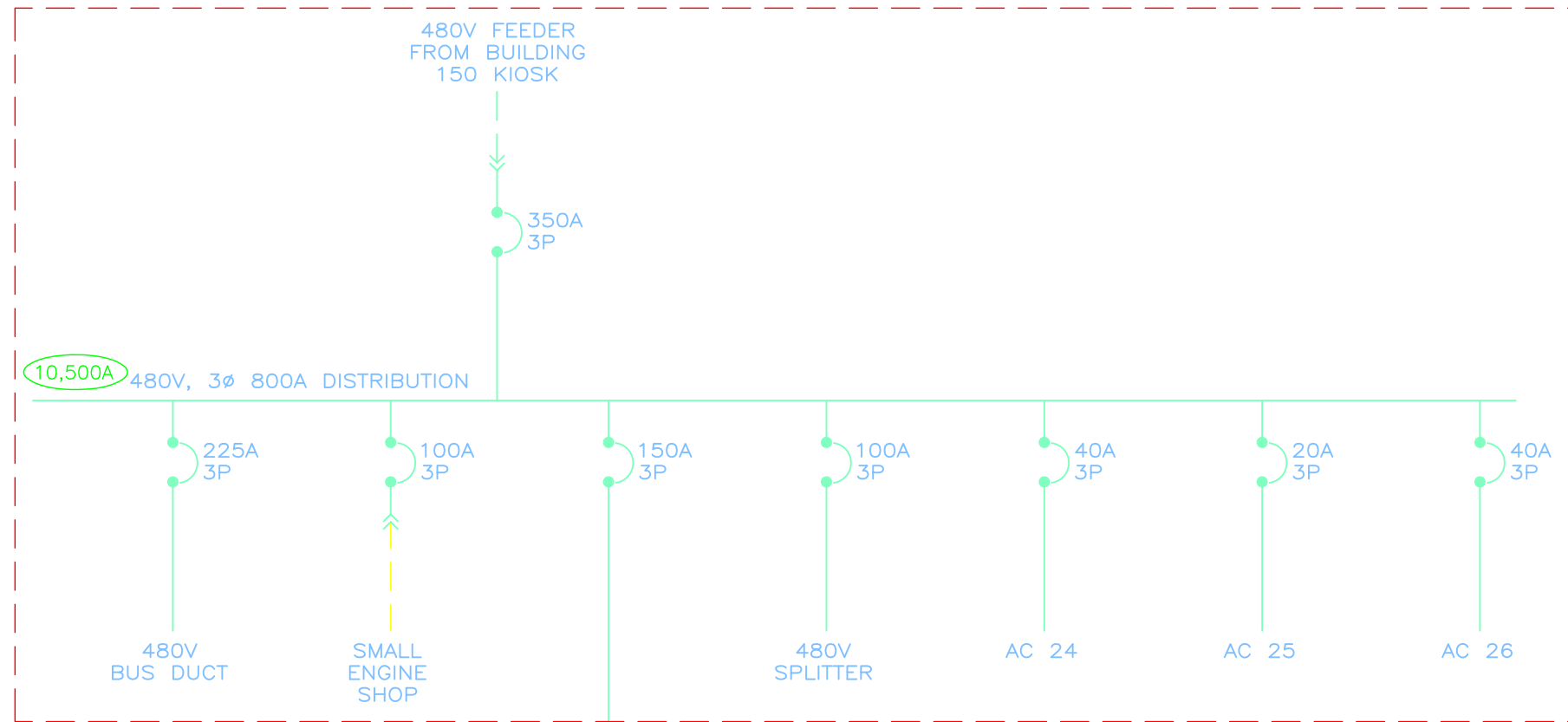


seal



project **VANCOUVER ISLAND UNIVERSITY ELECTRICAL DISTRIBUTION**  
drawing title **BUILDING 130**

designed	scale AS NOTED	date MAR-12-2010
drawn	project no.	
checked	drawing no. <b>E4</b>	rev. <b>1</b>
approved		



1 BUILDING 150  
E5

NOT TO SCALE

**ELITE ENGINEERING LIMITED**  
professional electrical engineering services  
#2-416 GARBALLY RD  
VICTORIA, B.C. V8T 2K1  
PHONE: (250) 704-1177  
FAX: (250) 704-1187

  
**VANCOUVER ISLAND UNIVERSITY**

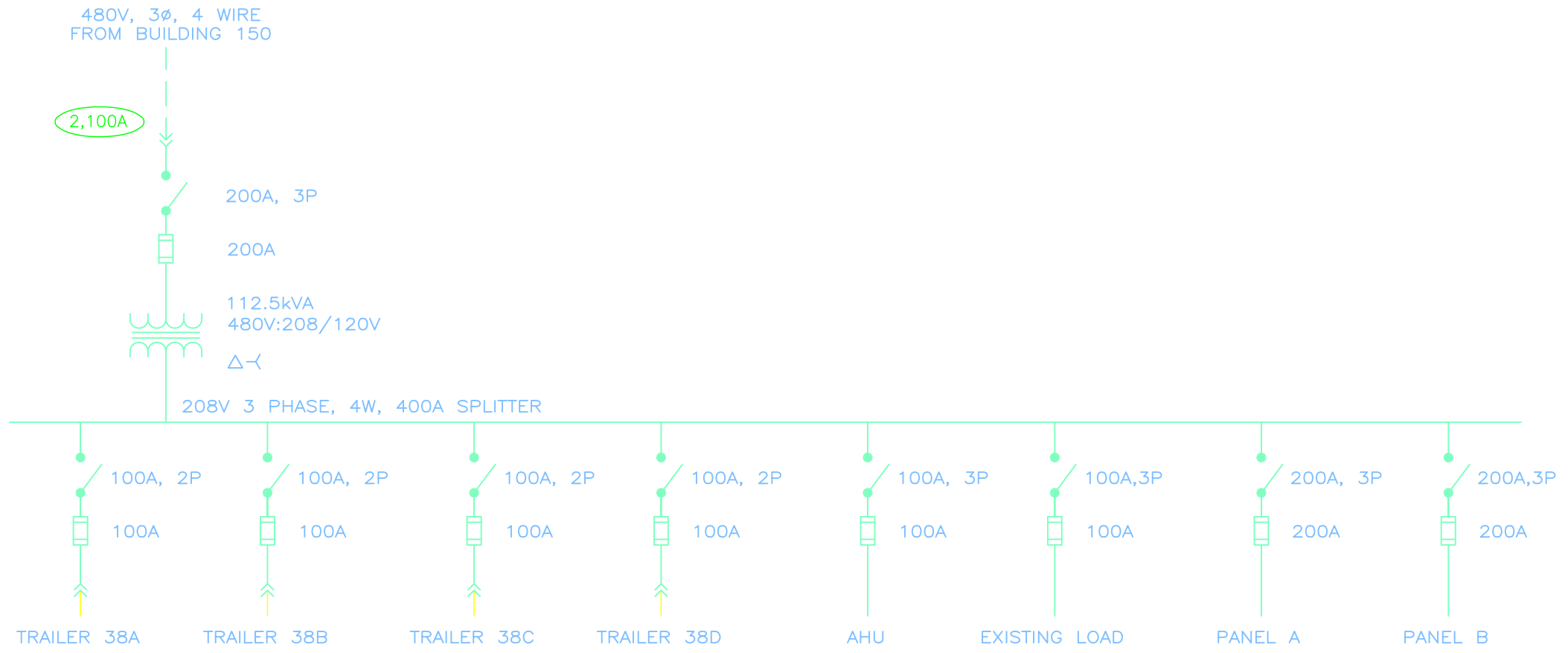
seal

  
**applied engineering solutions ltd.**  
3rd Floor, 1815 Blanshard Street • Victoria • British Columbia • V8T 5A4  
Ph: (250) 381 6121 • Fax: (250) 381 6811

project  
**VANCOUVER ISLAND UNIVERSITY ELECTRICAL DISTRIBUTION**

drawing title  
**BUILDING 150**

designed	scale AS NOTED	date MAR-12-2010
drawn	project no.	
checked	drawing no. <b>E5</b>	rev. <b>1</b>
approved		



1 BUILDING 164  
E6

NOT TO SCALE

**ELITE ENGINEERING LIMITED**  
professional electrical engineering services  
#2-416 GARBALLY RD  
VICTORIA, B.C. V8T 2K1  
PHONE: (250) 704-1177  
FAX: (250) 704-1187

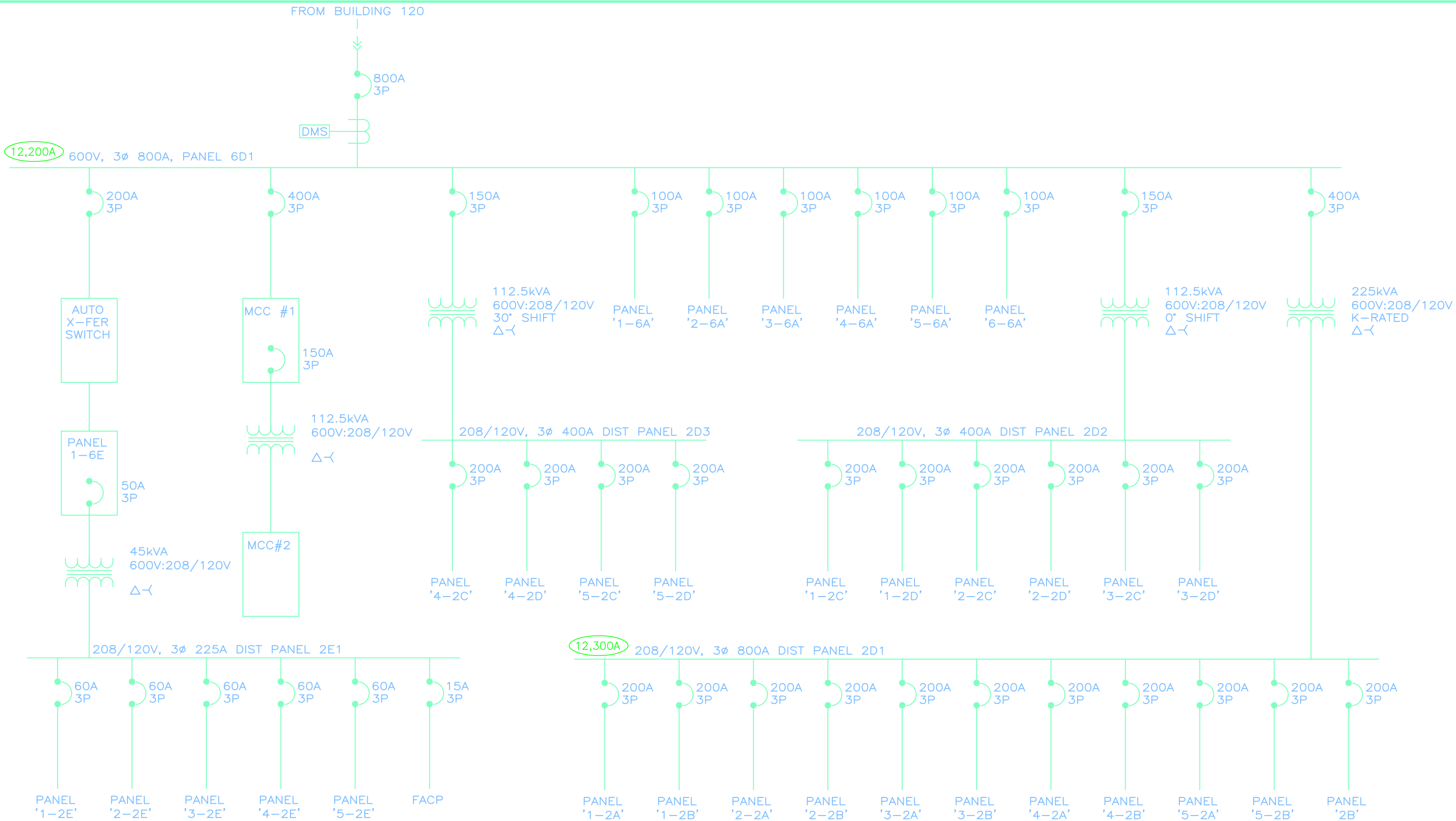


seal



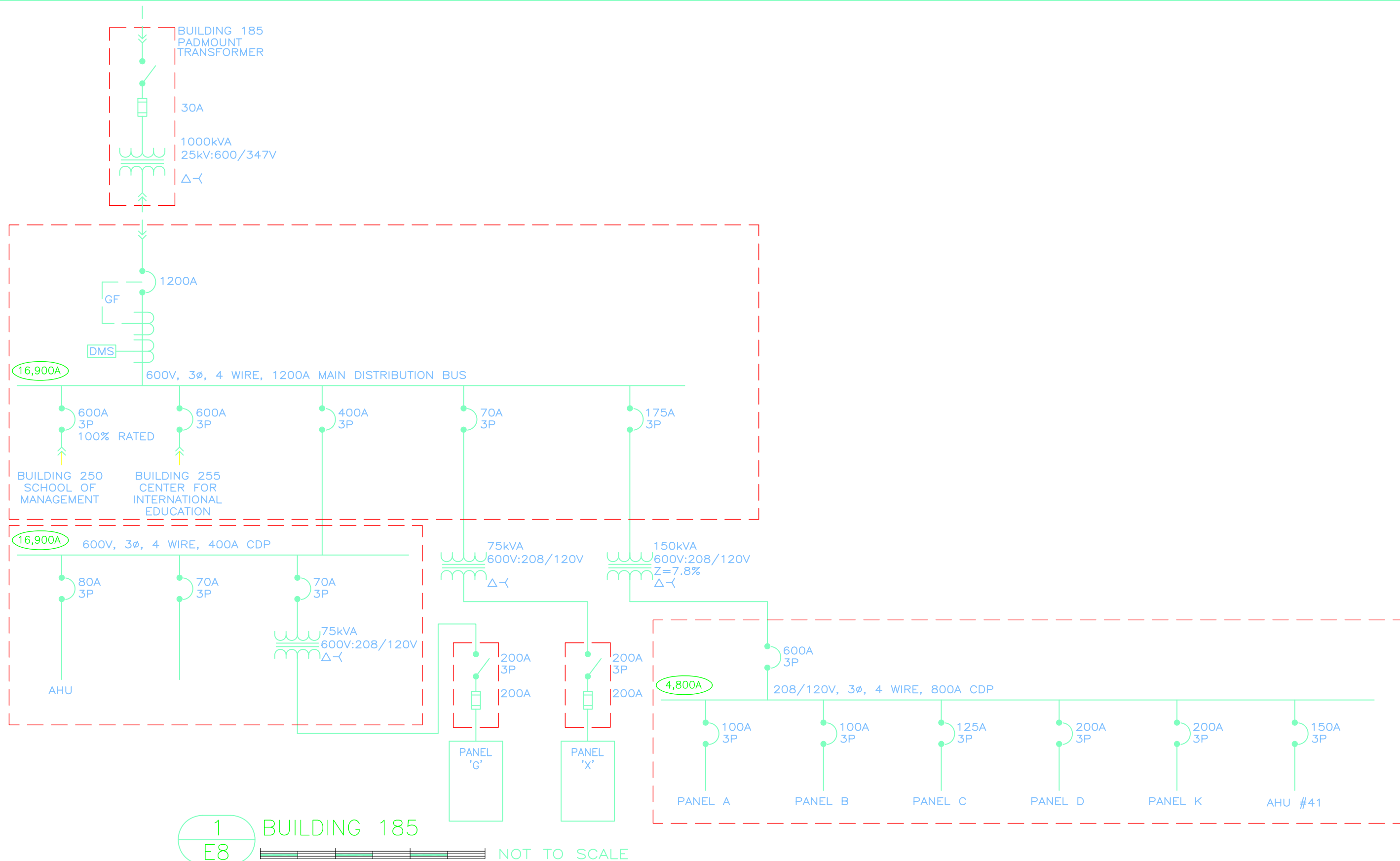
project **VANCOUVER ISLAND UNIVERSITY ELECTRICAL DISTRIBUTION**  
drawing title **BUILDING 164**

designed	scale AS NOTED	date MAR-12-2010
drawn	project no.	
checked	drawing no. <b>E6</b>	rev. <b>1</b>
approved		



1  
E7
BUILDING 180  
NOT TO SCALE

<p><b>ELITE ENGINEERING LIMITED</b>          professional electrical engineering services          #2-416 GARBALLY RD          VICTORIA, B.C. V8T 2K1          PHONE: (250) 704-1177          FAX: (250) 704-1187</p>	 <b>VANCOUVER ISLAND UNIVERSITY</b>	seal	 <b>applied engineering solutions ltd.</b> 3rd Floor, 1815 Blanshard Street • Victoria • British Columbia • V8T 5A4 Ph: (250) 381 6121 • Fax: (250) 381 6811	project <p style="text-align: center; font-weight: bold; font-size: 14px;">VANCOUVER ISLAND UNIVERSITY ELECTRICAL DISTRIBUTION</p> drawing title <p style="text-align: center; font-weight: bold; font-size: 14px;">BUILDING 180</p>	designed drawn checked approved	scale <p style="text-align: center;">AS NOTED</p> project no. drawing no. <div style="font-size: 24px; font-weight: bold; text-align: center;">E7</div>	date <p style="text-align: center;">MAR-12-2010</p> rev. <div style="font-size: 24px; font-weight: bold; text-align: center;">1</div>
---	--	------	---	--	--	--	---



1  
E8

BUILDING 185

NOT TO SCALE

**ELITE ENGINEERING LIMITED**  
 professional electrical engineering services  
 #2-416 GARBALLY RD  
 VICTORIA, B.C. V8T 2K1  
 PHONE: (250) 704-1177  
 FAX: (250) 704-1187

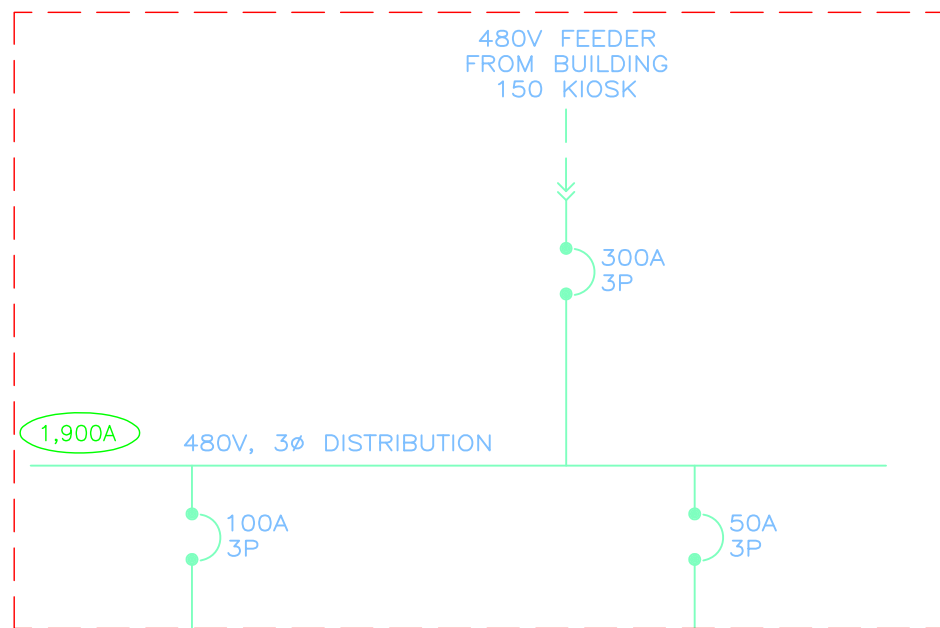
**VANCOUVER ISLAND UNIVERSITY**

seal

**applied engineering solutions ltd.**  
 3rd Floor, 1815 Blanshard Street • Victoria • British Columbia • V8T 5A4  
 Ph: (250) 381 6121 • Fax: (250) 381 6811

project  
**VANCOUVER ISLAND UNIVERSITY ELECTRICAL DISTRIBUTION**  
 drawing title  
**BUILDING 185**

designed	scale AS NOTED	date MAR-12-2010
drawn	project no.	
checked	drawing no. <b>E8</b>	rev. <b>1</b>
approved		



45kVA  
480V:208/120V  
Δ-

PANEL 'AA'  
60A  
3P

PANEL 'L'

X-FER SWITCH

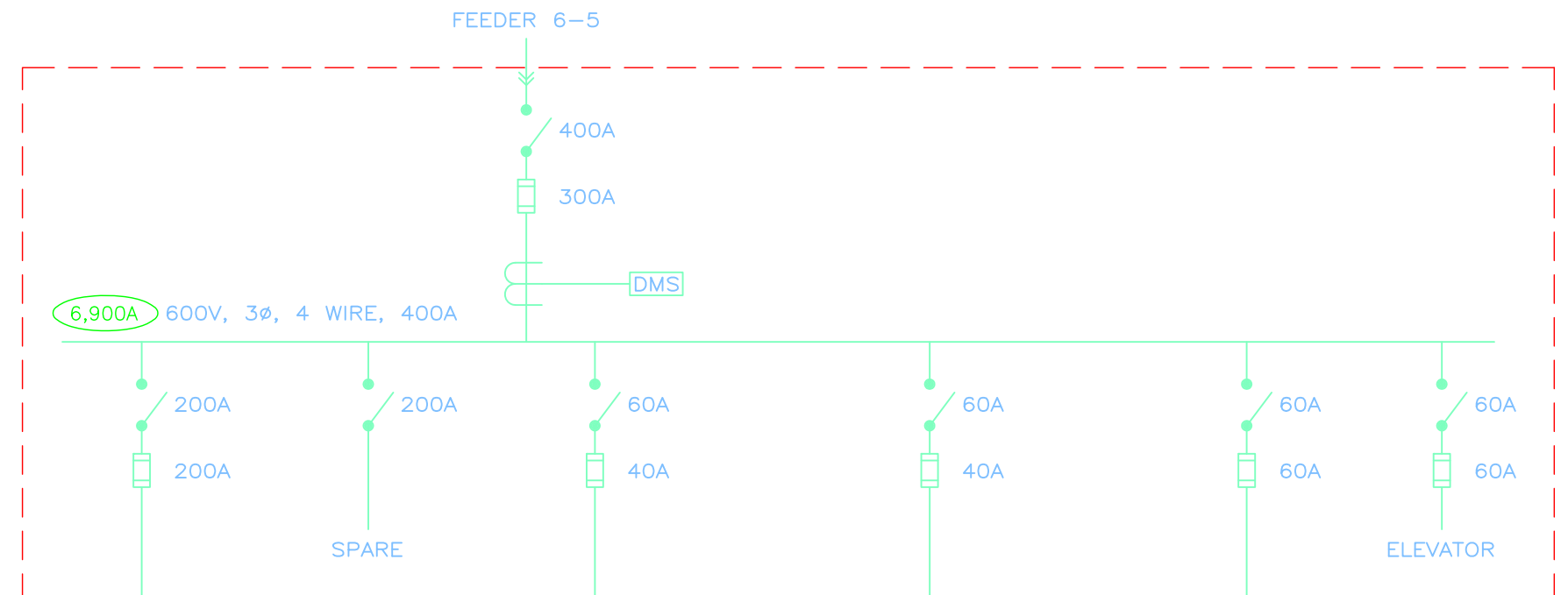
PANEL 'EM'

3kVA  
480V:208/120V  
Δ-

PANEL 'X'

1 BUILDING 190  
E9

NOT TO SCALE



6,900A 600V, 3φ, 4 WIRE, 400A

200A  
200A

SPARE

PANEL 6A  
600V, 3φ, 4 WIRE, 200A

40A

MCC 21

60A

MCC 61

45kVA  
600V:208/120V  
Δ-

PANEL 2A

30kVA  
600V:208/120V  
Δ-

PANEL 2A

45kVA  
600V:208/120V  
Δ-

PANEL 2A

ELEVATOR

2 BUILDING 193  
E9

NOT TO SCALE

**ELITE ENGINEERING LIMITED**  
professional electrical engineering services  
#2-416 GARBALLY RD  
VICTORIA, B.C. V8T 2K1  
PHONE: (250) 704-1177  
FAX: (250) 704-1187

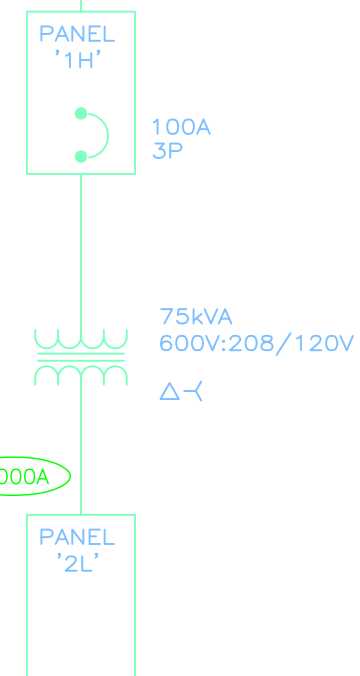
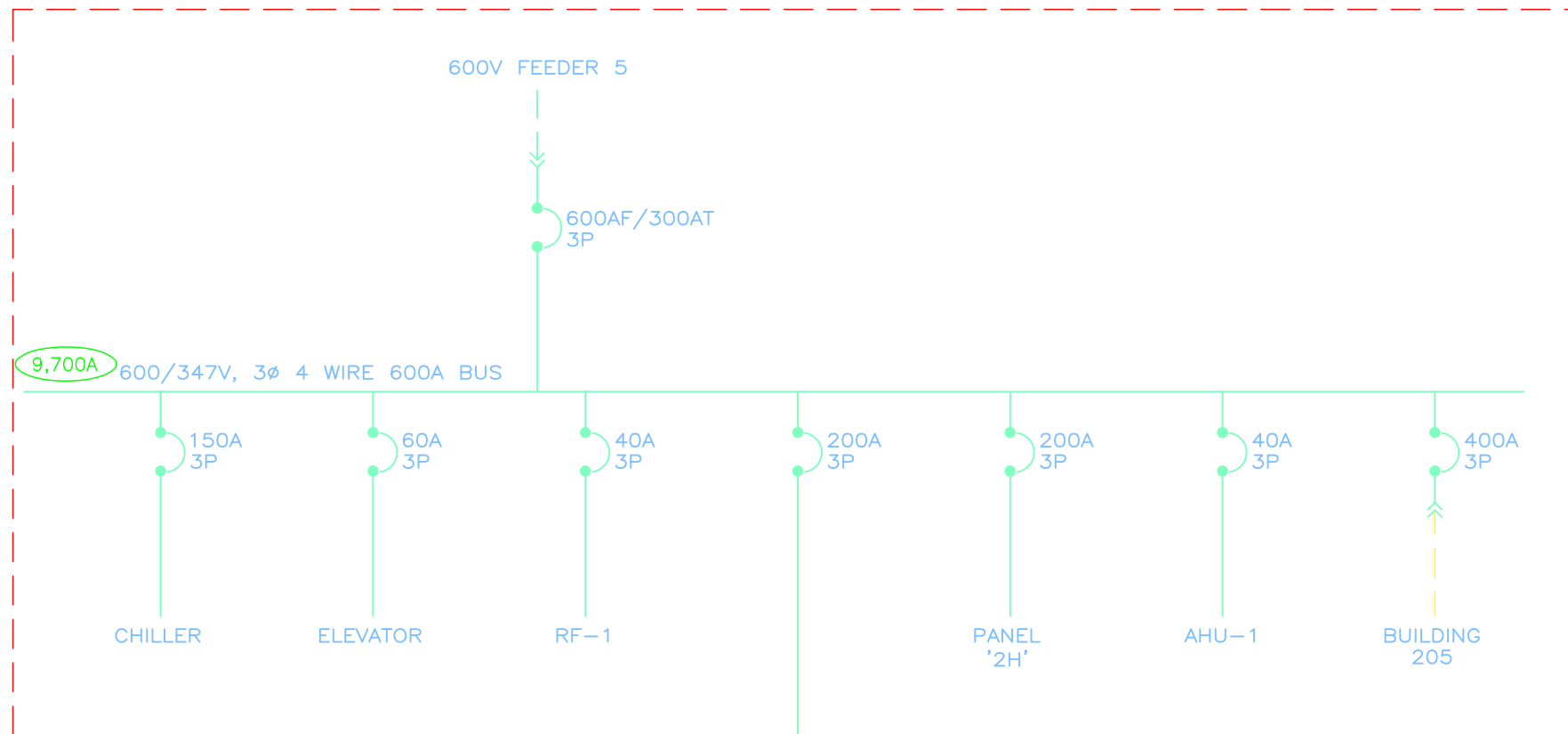


seal

**ES**  
applied engineering solutions ltd.  
3rd Floor, 1815 Blanshard Street • Victoria • British Columbia • V8T 5A4  
Ph: (250) 381 6121 • Fax: (250) 381 6811

project  
**VANCOUVER ISLAND UNIVERSITY ELECTRICAL DISTRIBUTION**  
drawing title  
**BUILDING 190 & 193**

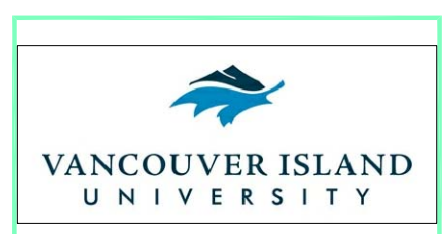
designed	scale AS NOTED	date MAR-12-2010
drawn	project no.	
checked	drawing no. <b>E9</b>	rev. <b>1</b>
approved		



1 BUILDING 200  
E10

NOT TO SCALE

**ELITE ENGINEERING LIMITED**  
professional electrical engineering services  
#2-416 GARBALLY RD  
VICTORIA, B.C. V8T 2K1  
PHONE: (250) 704-1177  
FAX: (250) 704-1187



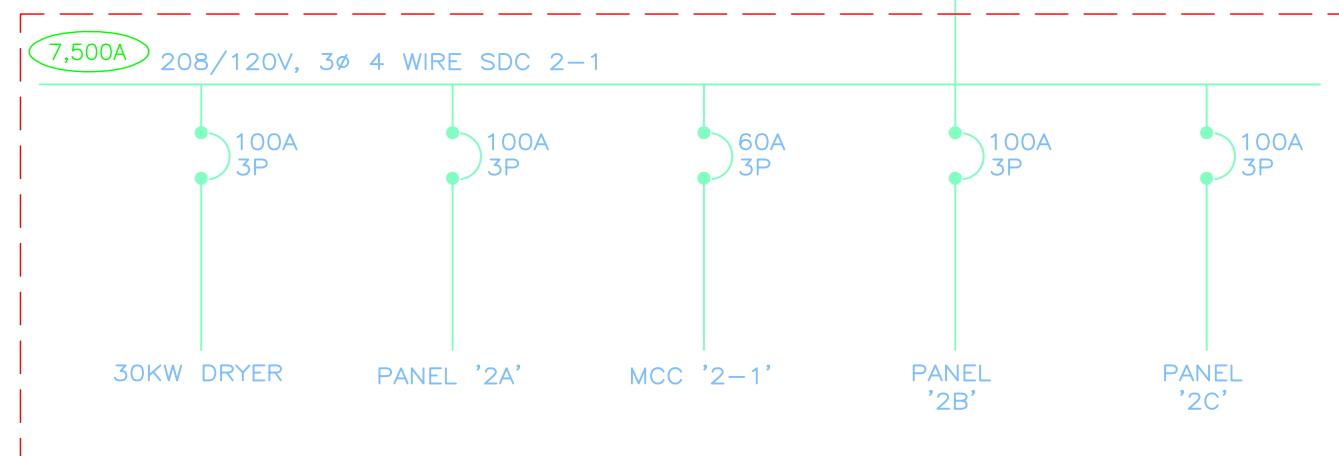
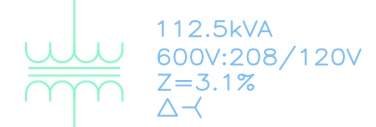
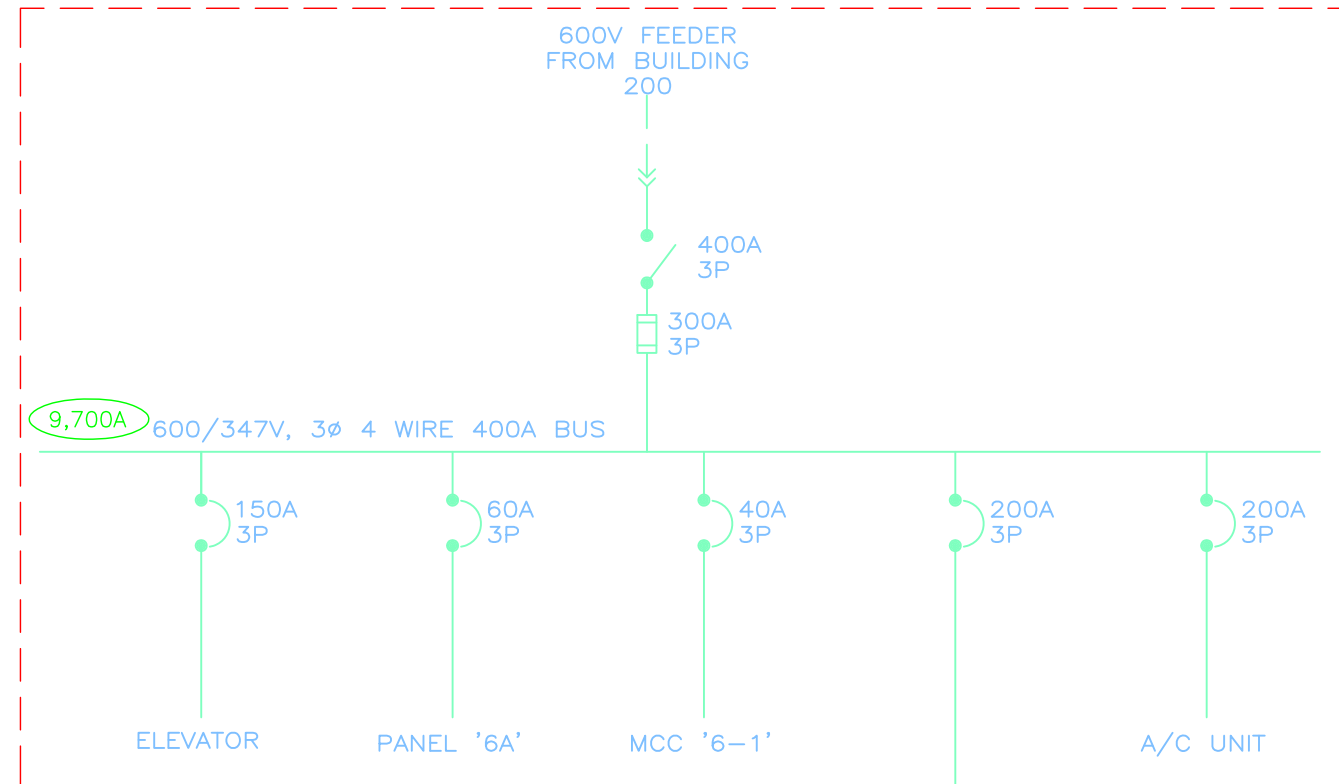
seal



project  
**VANCOUVER ISLAND UNIVERSITY  
ELECTRICAL DISTRIBUTION**

drawing title  
**BUILDING 200**

designed	scale AS NOTED	date MAR-12-2010
drawn	project no.	
checked	drawing no. <b>E10</b>	rev. <b>1</b>
approved		



1 BUILDING 205  
E11 NOT TO SCALE

**ELITE ENGINEERING LIMITED**  
professional electrical engineering services  
#2-416 GARBALLY RD  
VICTORIA, B.C. V8T 2K1  
PHONE: (250) 704-1177  
FAX: (250) 704-1187

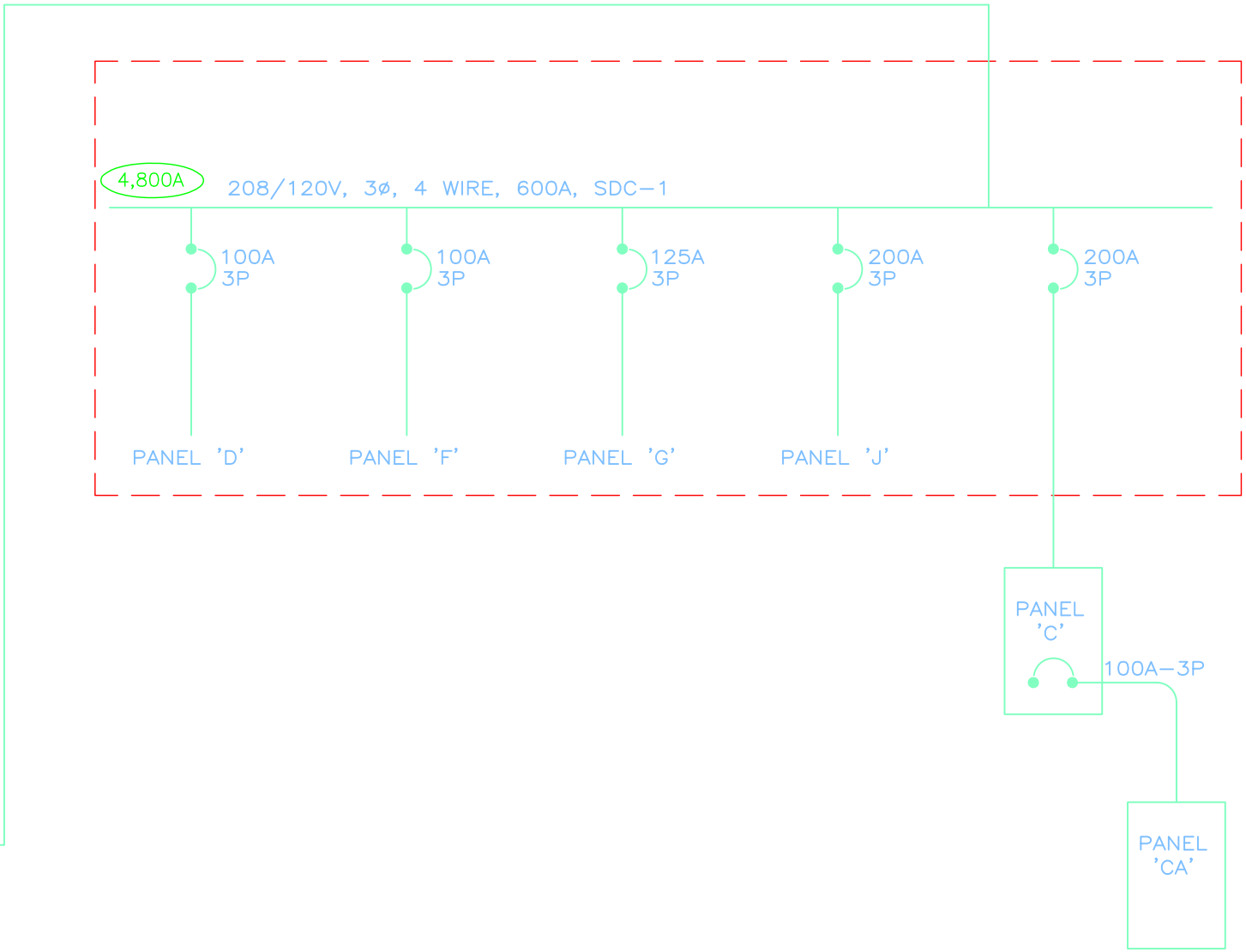
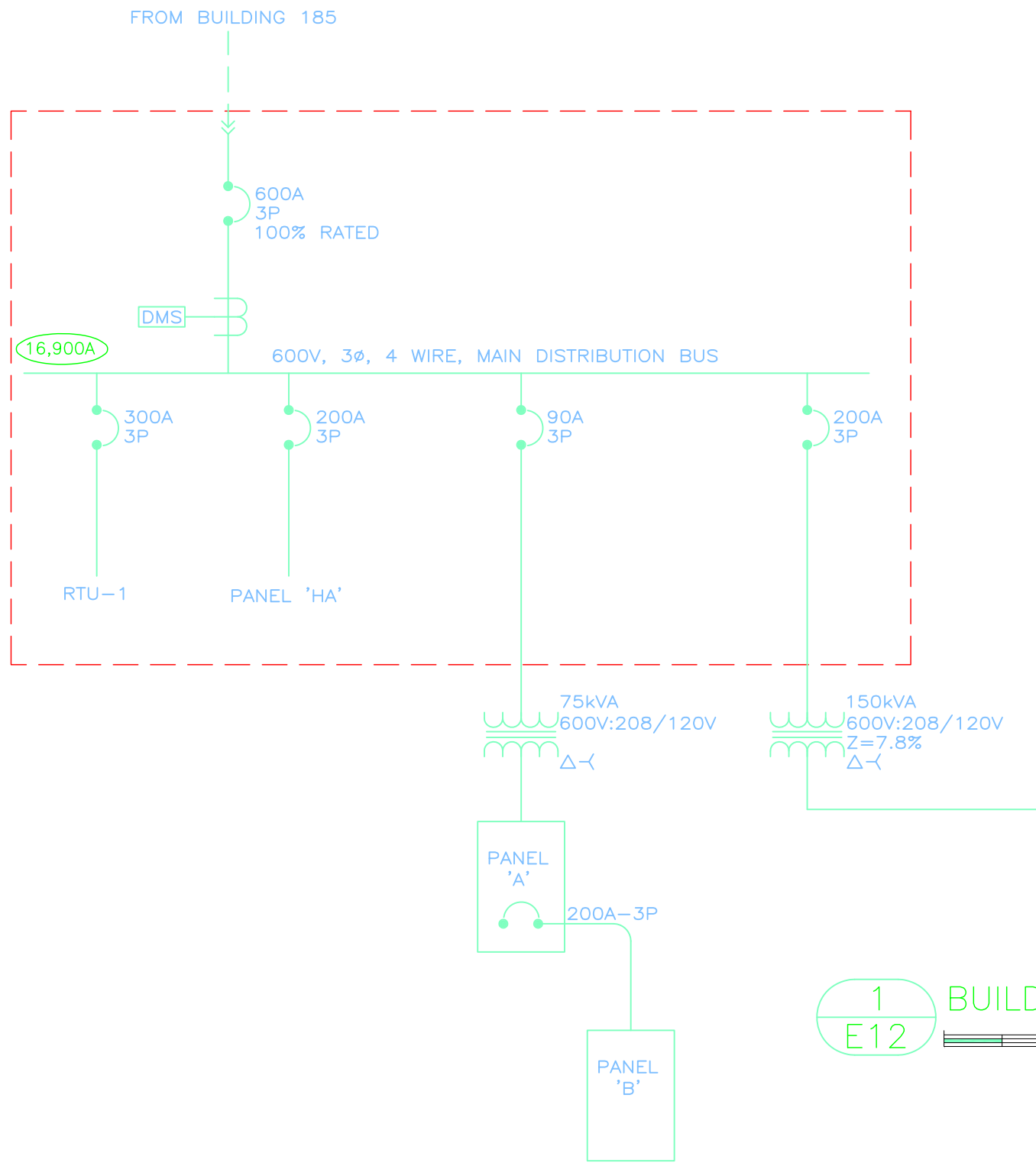


seal



project **VANCOUVER ISLAND UNIVERSITY ELECTRICAL DISTRIBUTION**  
drawing title **BUILDING 205**

designed	scale AS NOTED	date MAR-12-2010
drawn	project no.	
checked	drawing no.	rev.
approved	<b>E11</b>	<b>1</b>



1 BUILDING 250  
E12 NOT TO SCALE

**ELITE ENGINEERING LIMITED**  
professional electrical engineering services  
#2-416 GARBALLY RD  
VICTORIA, B.C. V8T 2K1  
PHONE: (250) 704-1177  
FAX: (250) 704-1187

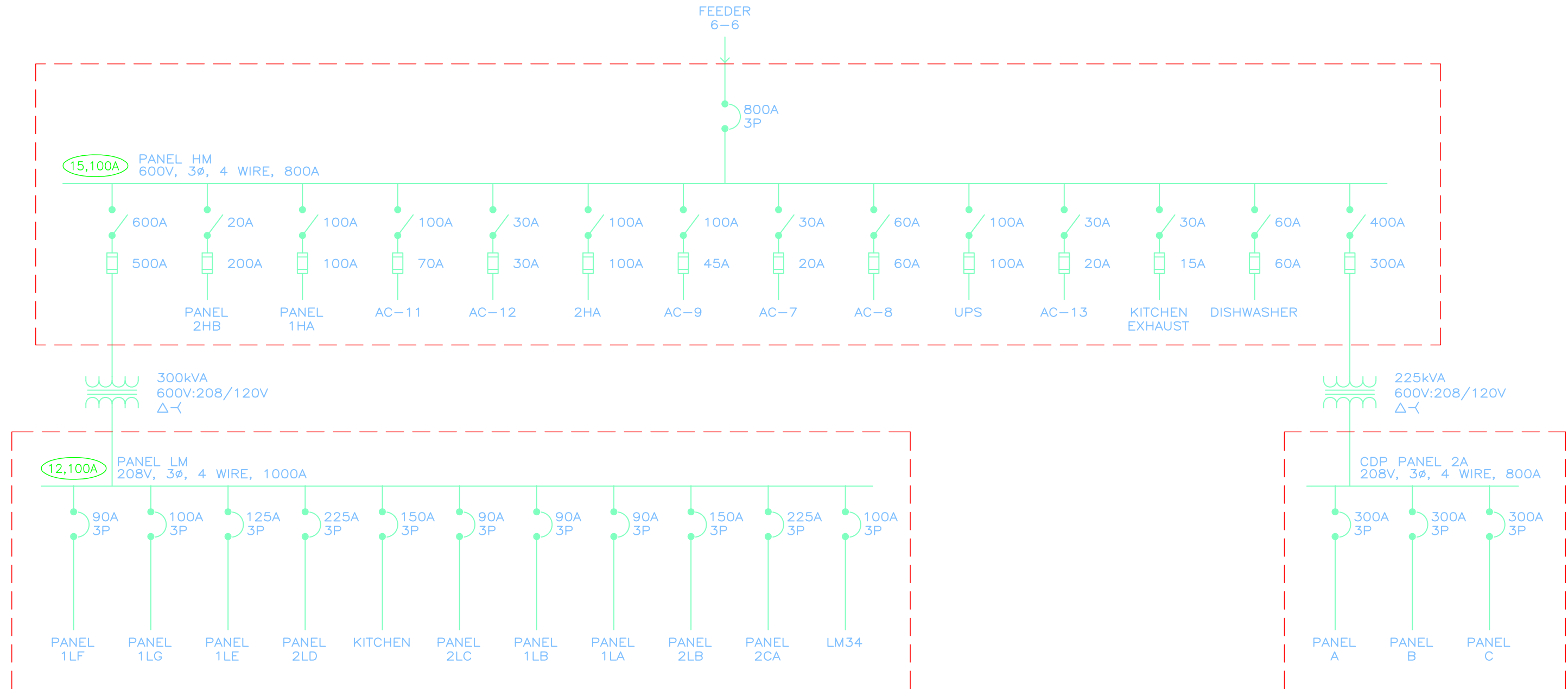


seal



project **VANCOUVER ISLAND UNIVERSITY ELECTRICAL DISTRIBUTION**  
drawing title **BUILDING 250**

designed	scale AS NOTED	date MAR-12-2010
drawn	project no.	
checked	drawing no. <b>E12</b>	rev. <b>1</b>
approved		



1 BUILDING 300  
E13 NOT TO SCALE

**ELITE ENGINEERING LIMITED**  
professional electrical engineering services  
#2-416 GARBALLY RD  
VICTORIA, B.C. V8T 2K1  
PHONE: (250) 704-1177  
FAX: (250) 704-1187

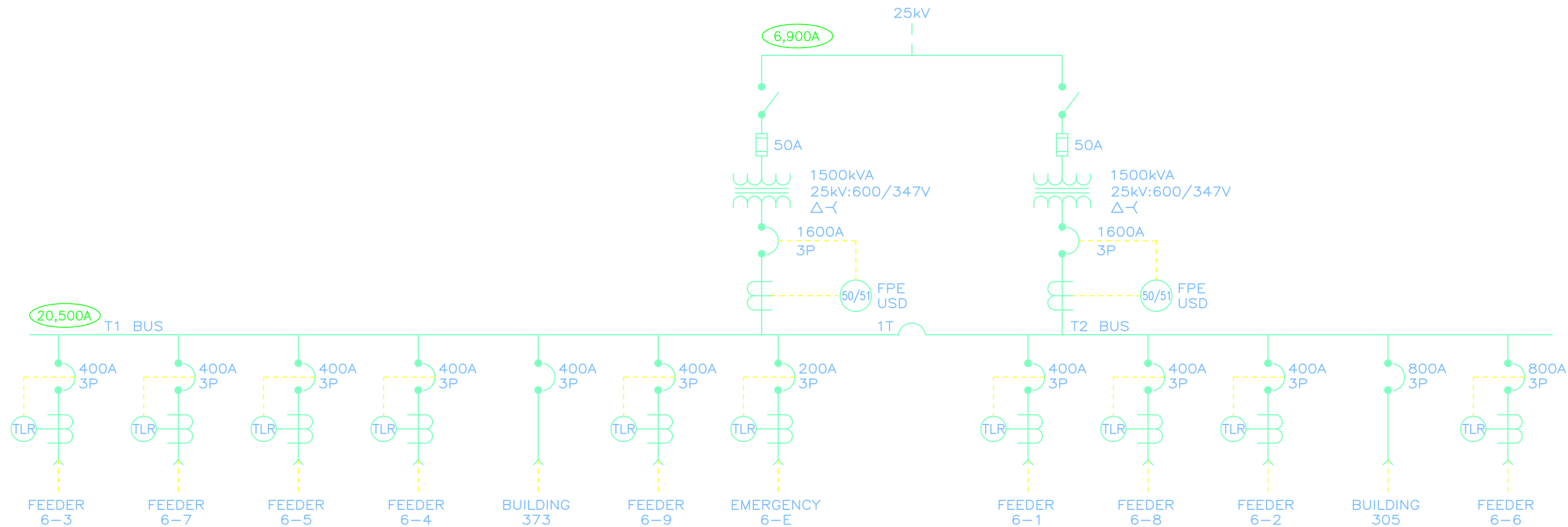


seal



project **VANCOUVER ISLAND UNIVERSITY ELECTRICAL DISTRIBUTION**  
drawing title **BUILDING 300**

designed	scale AS NOTED	date MAR-12-2010
drawn	project no.	
checked	drawing no. <b>E13</b>	rev. <b>1</b>
approved		



1 BUILDING 305  
E14 NOT TO SCALE

**ELITE ENGINEERING LIMITED**  
professional electrical engineering services  
#2-416 GARBALLY RD  
VICTORIA, B.C. V8T 2K1  
PHONE: (250) 704-1177  
FAX: (250) 704-1187

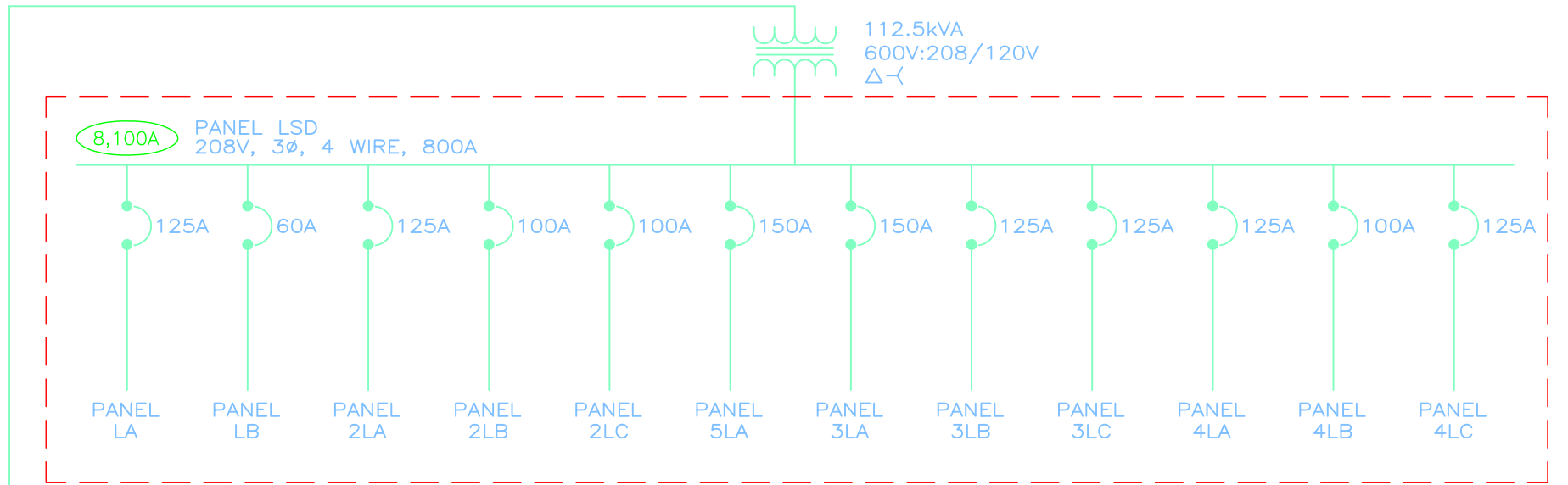
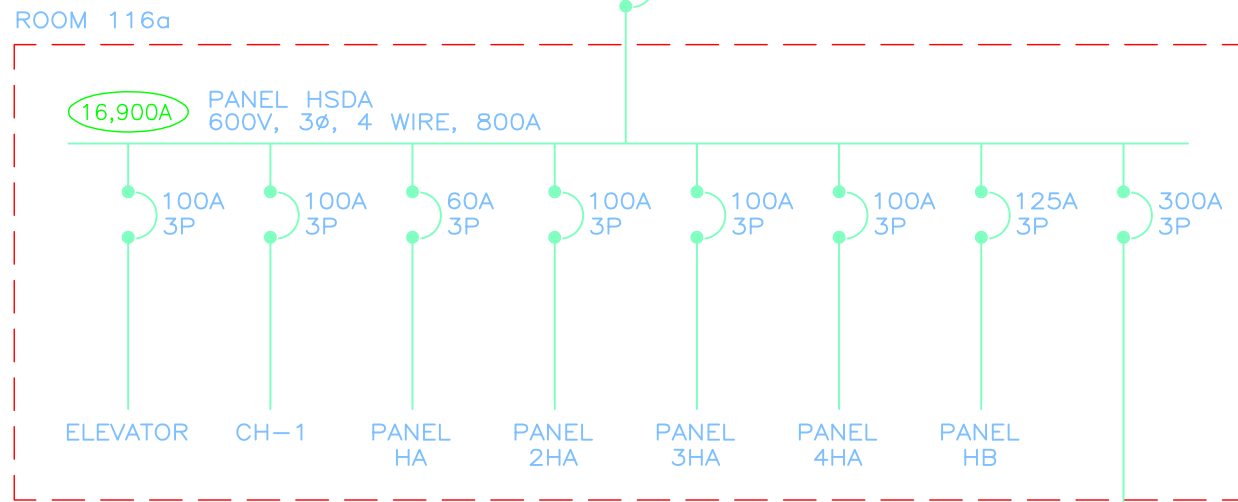
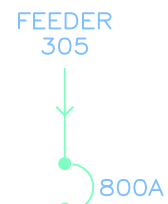
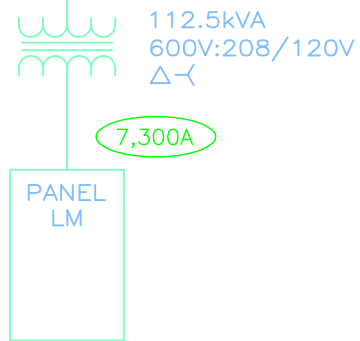
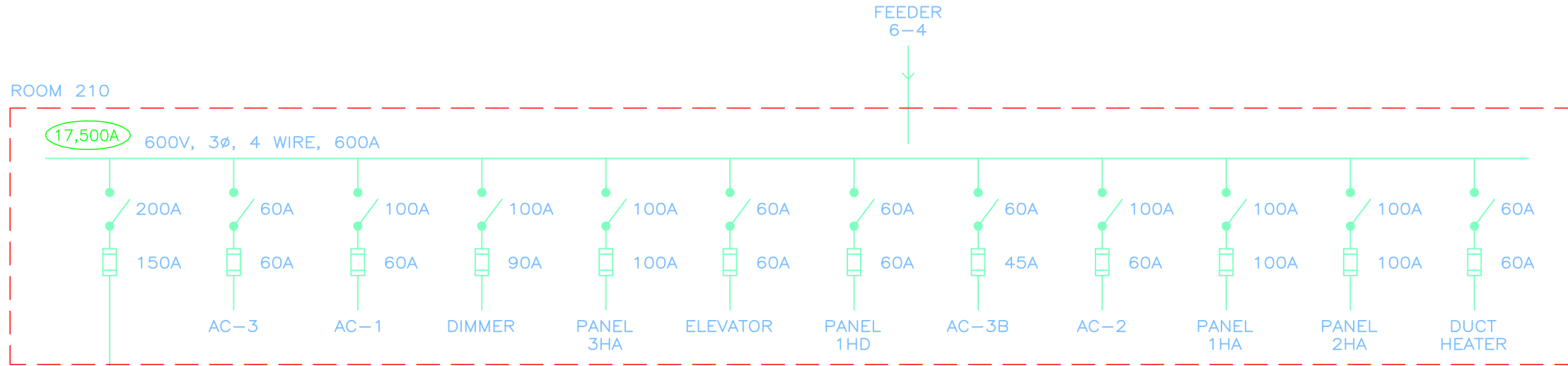


seal



project **VANCOUVER ISLAND UNIVERSITY ELECTRICAL DISTRIBUTION**  
drawing title **BUILDING 305**

designed	scale AS NOTED	date MAR-12-2010
drawn	project no.	
checked	drawing no. <b>E14</b>	rev. <b>1</b>
approved		



1 BUILDING 305a  
E15

NOT TO SCALE

**ELITE ENGINEERING LIMITED**  
professional electrical engineering services  
#2-416 GARBALLY RD  
VICTORIA, B.C. V8T 2K1  
PHONE: (250) 704-1177  
FAX: (250) 704-1187

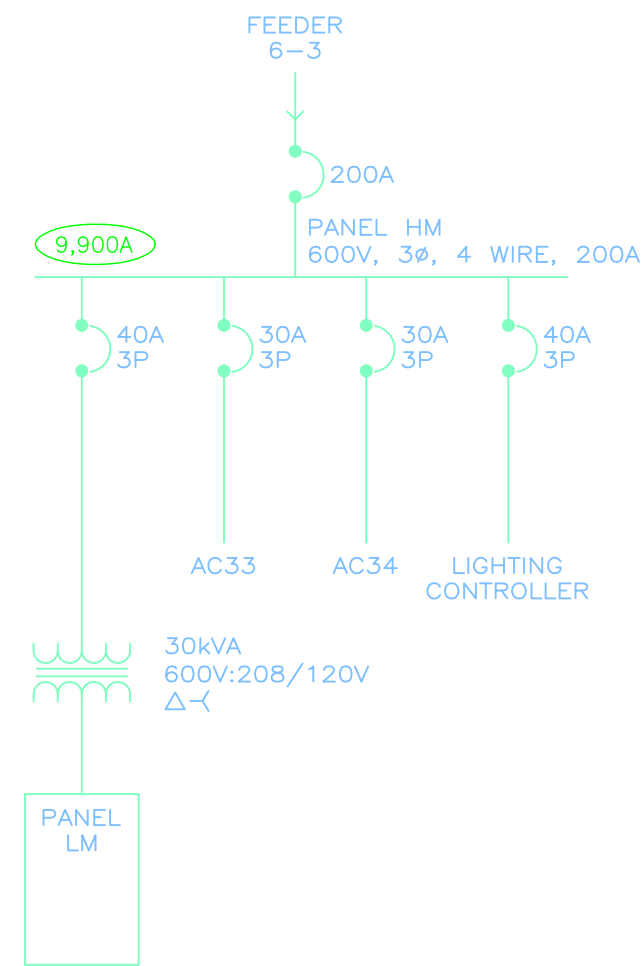
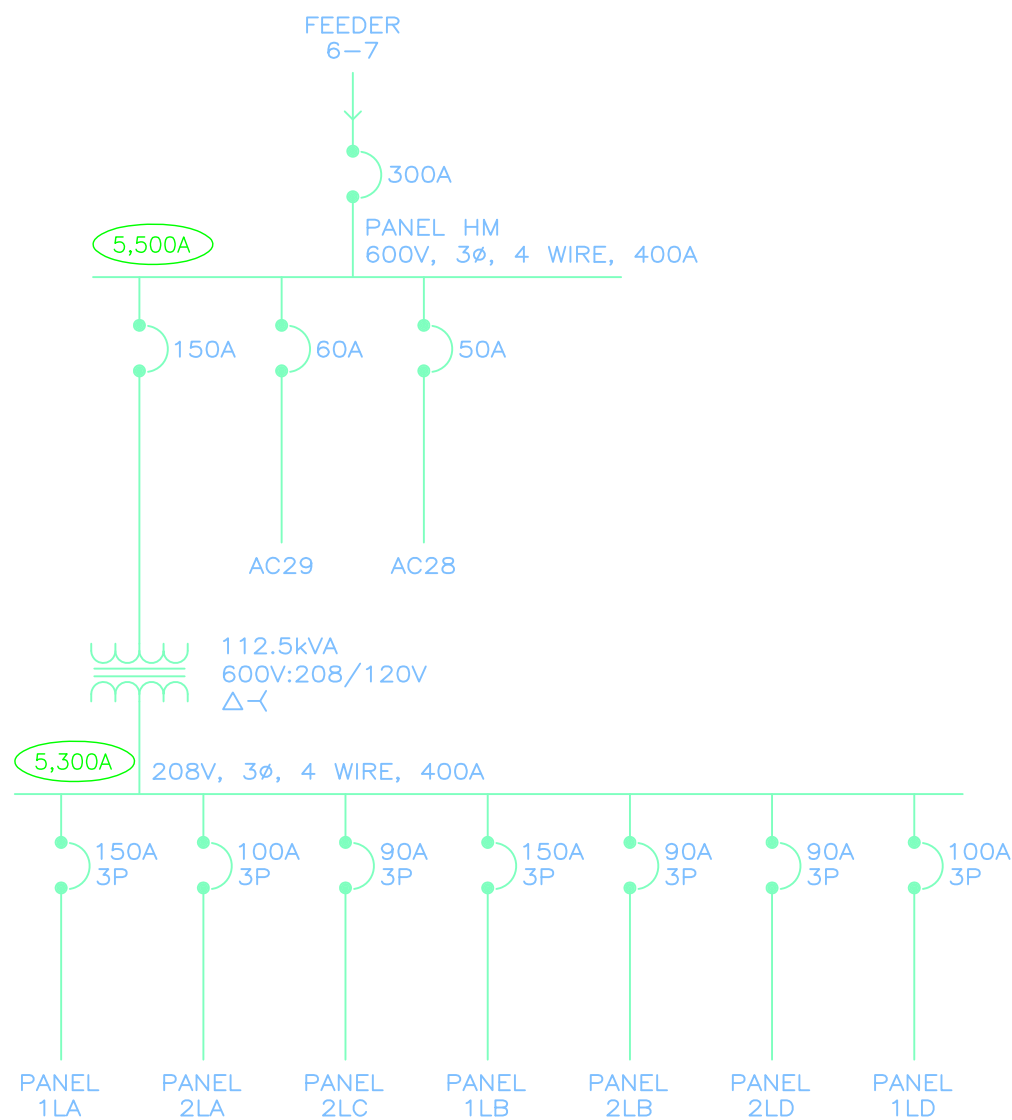
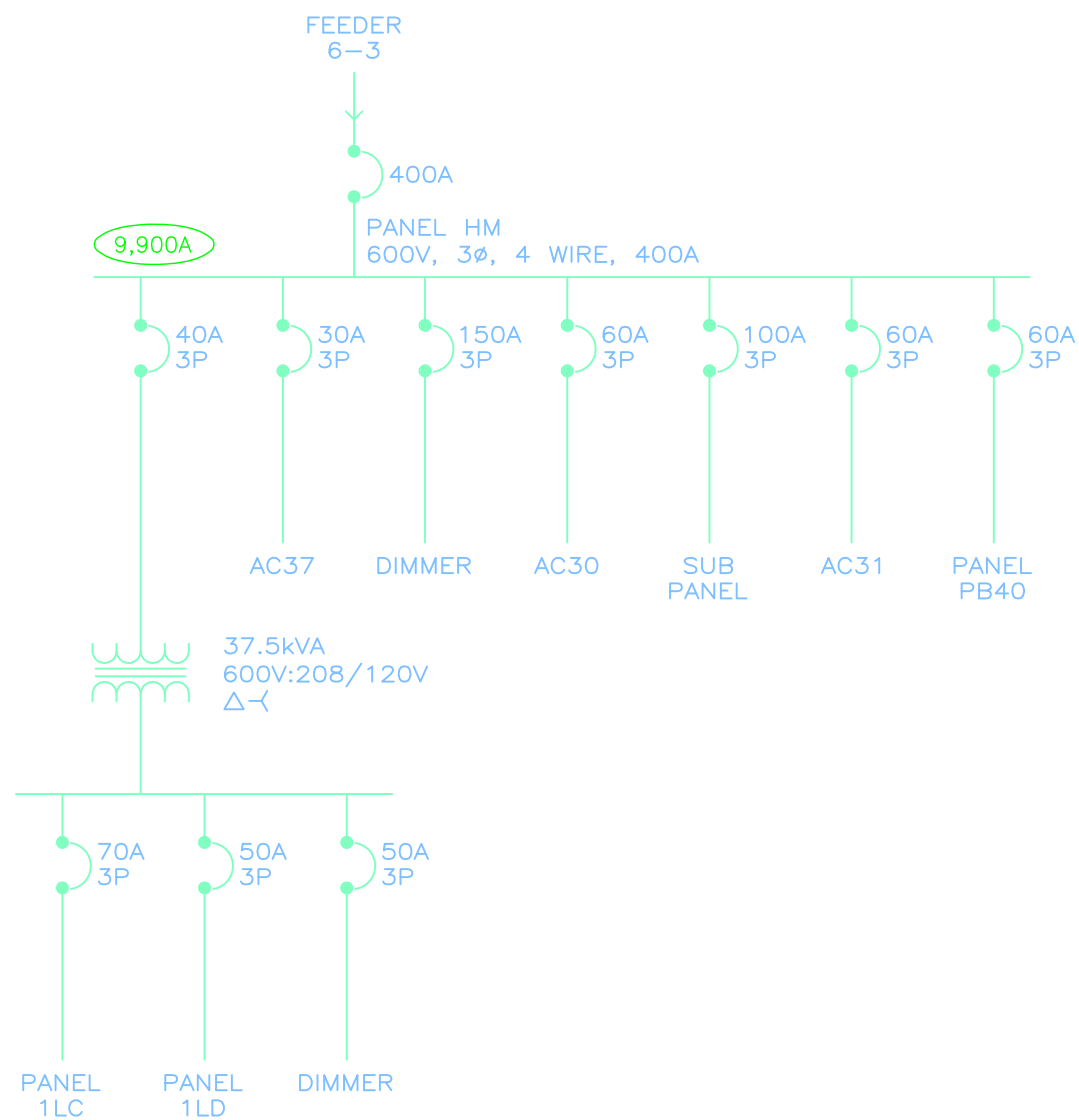
**VANCOUVER ISLAND UNIVERSITY**

seal

**applied engineering solutions ltd.**  
3rd Floor, 1815 Blanshard Street • Victoria • British Columbia • V8T 5A4  
Ph: (250) 381 6121 • Fax: (250) 381 6811

project **VANCOUVER ISLAND UNIVERSITY ELECTRICAL DISTRIBUTION**  
drawing title **BUILDING 305a**

designed	scale AS NOTED	date MAR-12-2010
drawn	project no.	
checked	drawing no.	rev.
approved	<b>E15</b>	<b>1</b>



1 BUILDING 310  
E16 NOT TO SCALE

2 BUILDING 315  
E16 NOT TO SCALE

3 BUILDING 320  
E16 NOT TO SCALE

**ELITE ENGINEERING LIMITED**  
professional electrical engineering services  
#2-416 GARBALLY RD  
VICTORIA, B.C. V8T 2K1  
PHONE: (250) 704-1177  
FAX: (250) 704-1187

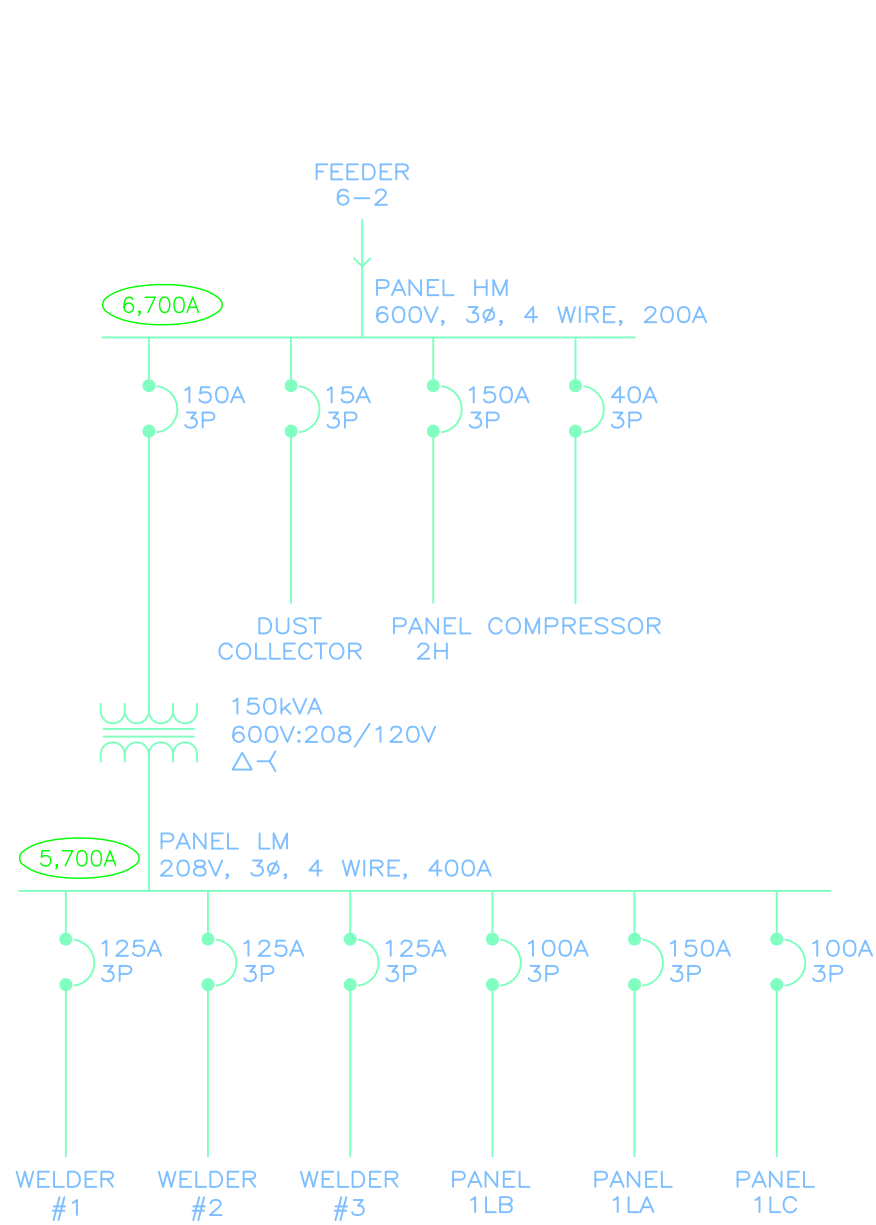


seal

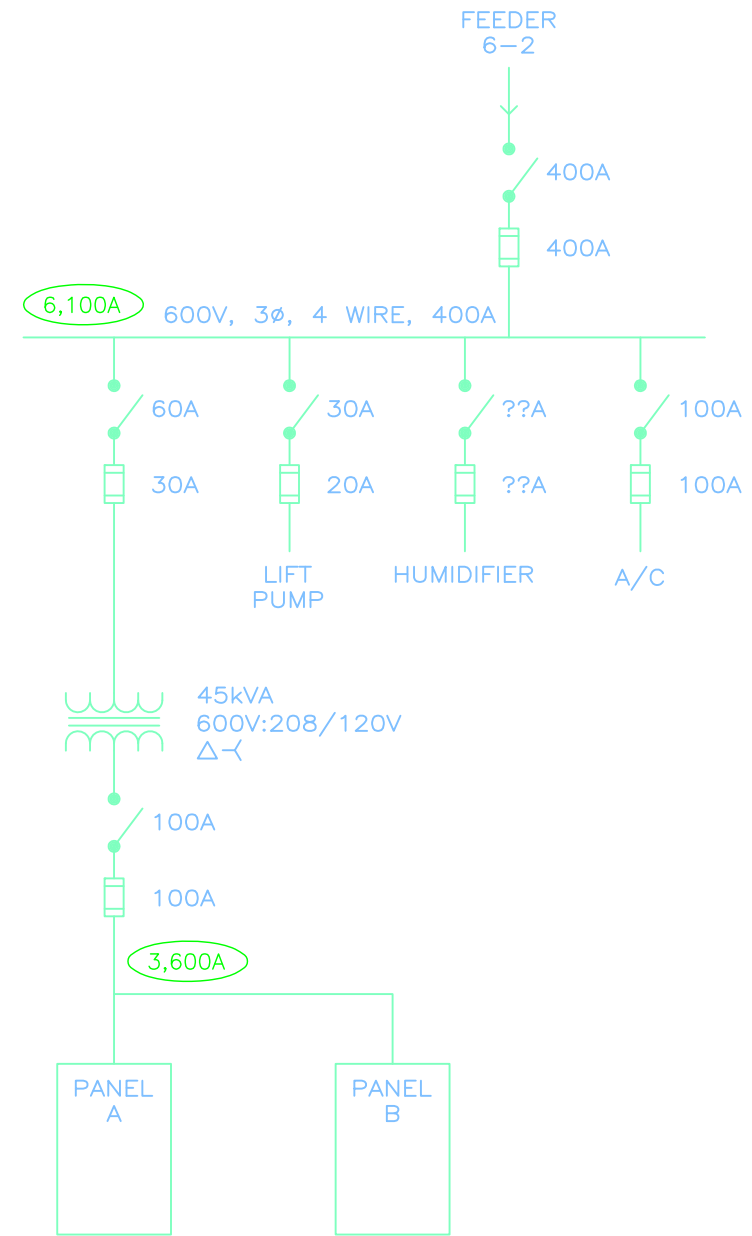


project **VANCOUVER ISLAND UNIVERSITY ELECTRICAL DISTRIBUTION**  
drawing title **BUILDING 310, 315, 320**

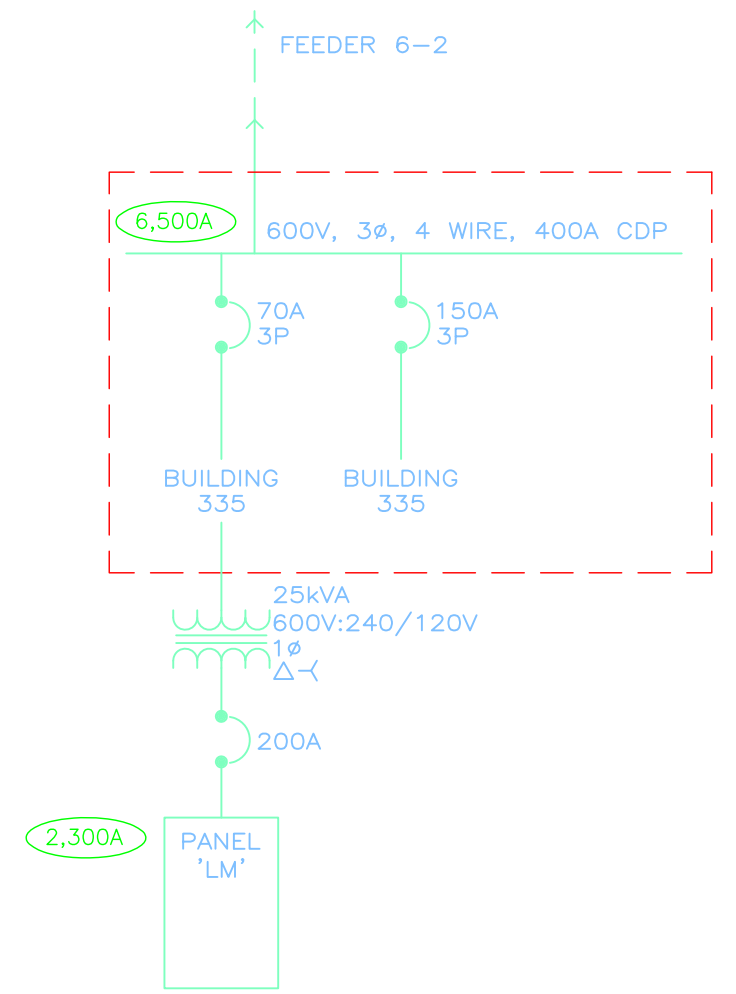
designed	scale AS NOTED	date MAR-12-2010
drawn	project no.	
checked	drawing no. <b>E16</b>	rev. <b>1</b>
approved		



1 BUILDING 325  
E17 NOT TO SCALE



2 BUILDING 330  
E17 NOT TO SCALE



3 BUILDING 335  
E17 NOT TO SCALE

**ELITE ENGINEERING LIMITED**  
professional electrical engineering services  
#2-416 GARBALLY RD  
VICTORIA, B.C. V8T 2K1  
PHONE: (250) 704-1177  
FAX: (250) 704-1187

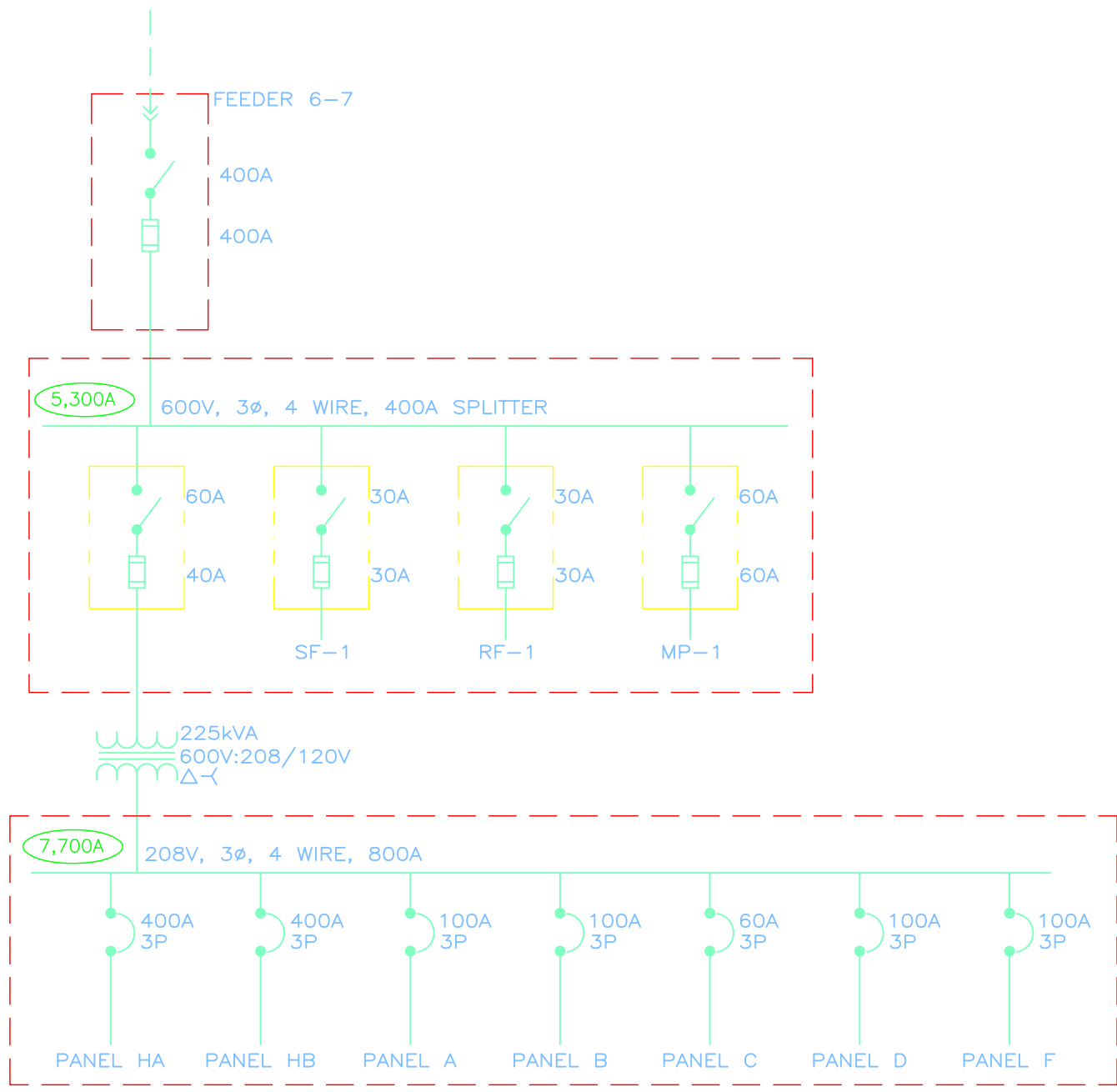


seal

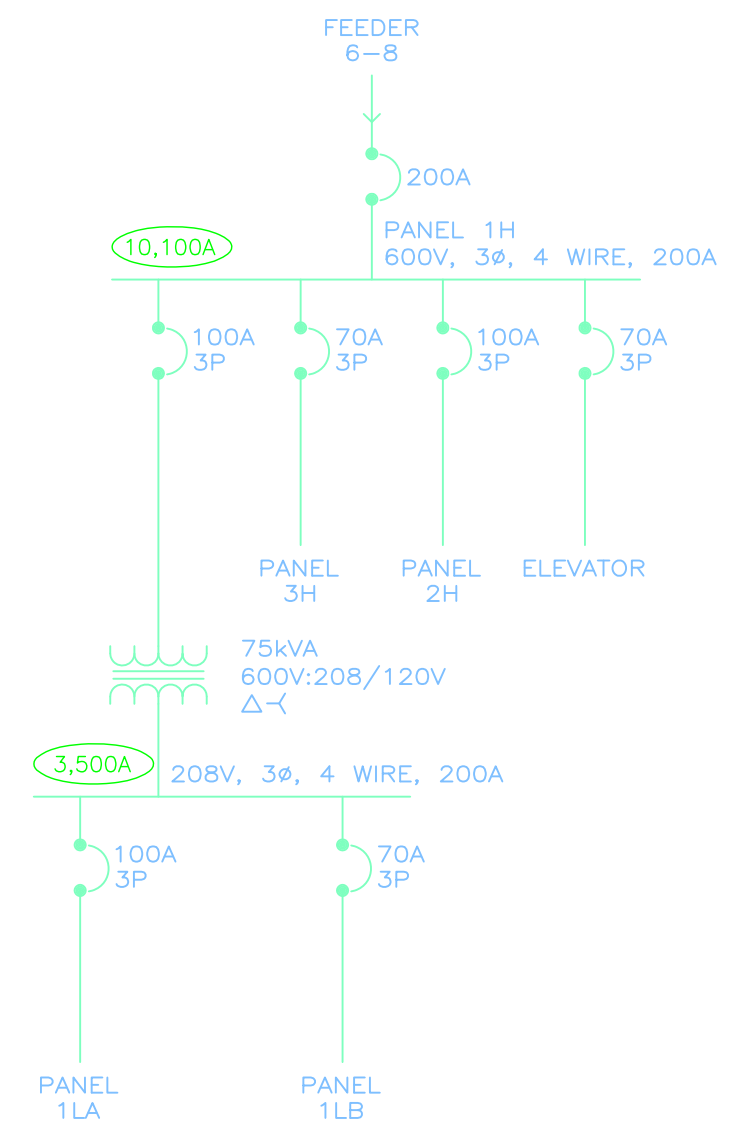
**ES**  
applied engineering solutions ltd.  
3rd Floor, 1815 Blanshard Street • Victoria • British Columbia • V8T 5A4  
Ph: (250) 381 6121 • Fax: (250) 381 6811

project  
**VANCOUVER ISLAND UNIVERSITY ELECTRICAL DISTRIBUTION**  
drawing title  
**BUILDING 325, 330, 335**

designed	scale AS NOTED	date MAR-12-2010
drawn	project no.	
checked	drawing no.	rev.
approved	<b>E17</b>	<b>1</b>



1 BUILDING 340 AND 345  
E18 NOT TO SCALE



2 BUILDING 355  
E18 NOT TO SCALE

**ELITE ENGINEERING LIMITED**  
professional electrical engineering services  
#2-416 GARBALLY RD  
VICTORIA, B.C. V8T 2K1  
PHONE: (250) 704-1177  
FAX: (250) 704-1187

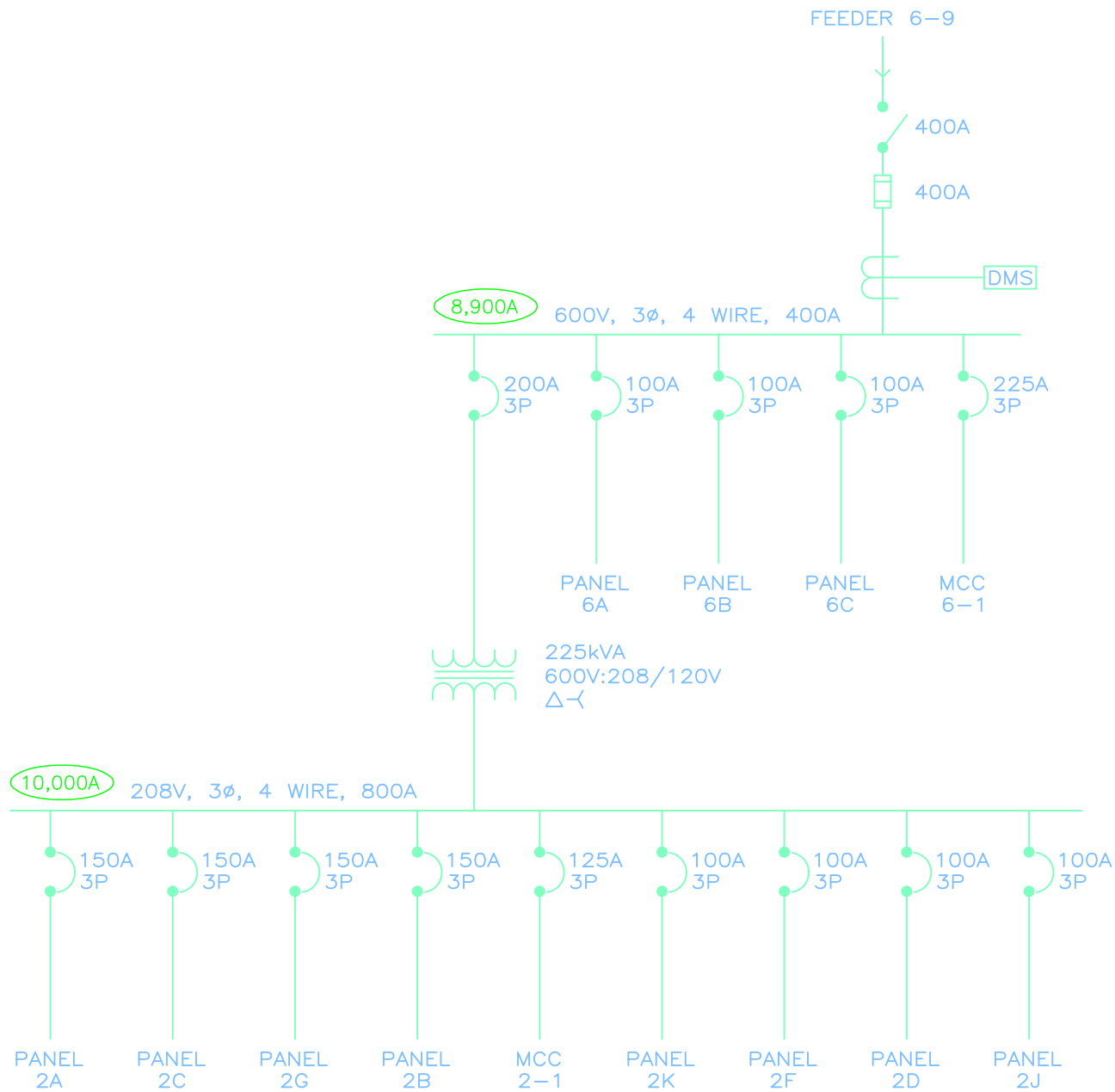


seal



project  
**VANCOUVER ISLAND UNIVERSITY  
ELECTRICAL DISTRIBUTION**  
drawing title  
**BUILDING 340/345, 355**

designed	scale AS NOTED	date MAR-12-2010
drawn	project no.	
checked	drawing no. <b>E18</b>	rev. <b>1</b>
approved		



1 BUILDING 356  
E19 NOT TO SCALE

**ELITE ENGINEERING LIMITED**  
professional electrical engineering services  
#2-416 GARBALLY RD  
VICTORIA, B.C. V8T 2K1  
PHONE: (250) 704-1177  
FAX: (250) 704-1187



seal



project **VANCOUVER ISLAND UNIVERSITY ELECTRICAL DISTRIBUTION**  
drawing title **BUILDING 356**

designed	scale AS NOTED	date MAR-12-2010
drawn	project no.	
checked	drawing no. <b>E19</b>	rev. <b>1</b>
approved		